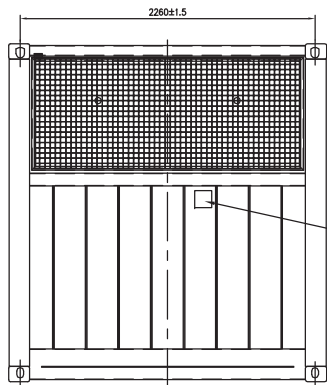
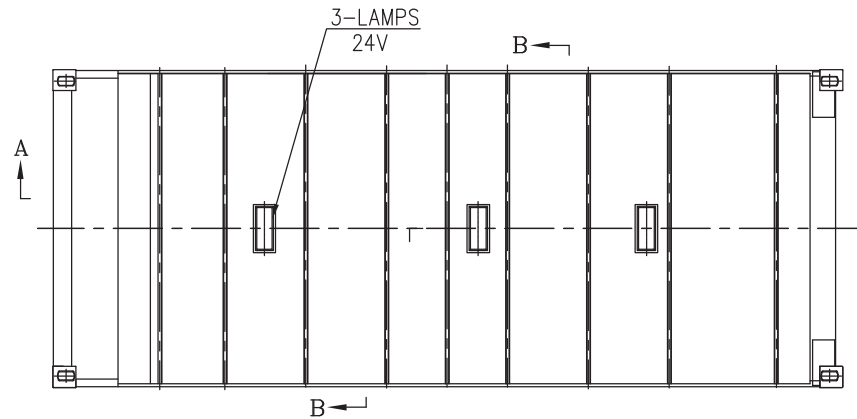


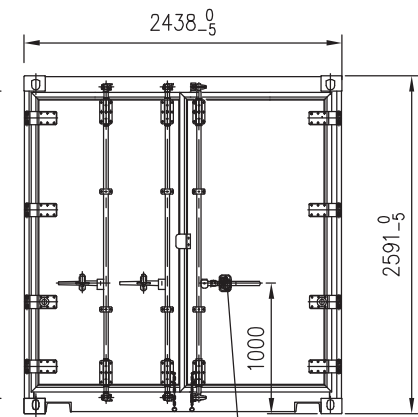
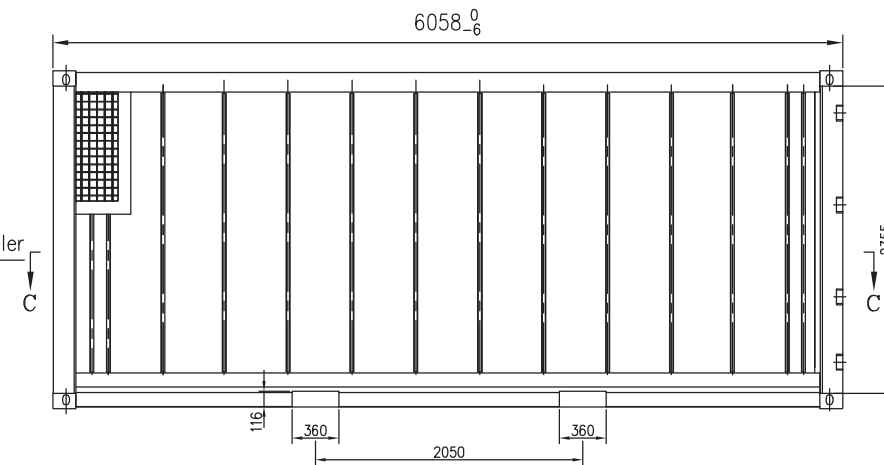
CLASSIFICATION		DIMENSION			
EXTERNAL	LENGTH	6058	20'		$-15/64^0$
	WIDTH	2438	8'		$-3/16^0$
	HEIGHT	2591	8' - 6"		$-3/16^0$
INTERNAL	LENGTH	5812	19'	13/16"	$-15/32^0$
	WIDTH	2258	7' - 4"	57/64"	$-25/64^0$
	HEIGHT	2253	7' - 4"	45/64"	$-25/64^0$
DOOR	WIDTH	2290	7' - 6"	5/32"	$-3/16^0$
OPENING	HEIGHT	2235	7' - 3"	63/64"	$-3/16^0$
CARGO ACCESS HEIGHT		2229	7' - 3"	3/4"	$-3/16^0$
INTERNAL CUBIC CAPACITY		28.4 CU.M	1003 CU.FT		

MAX GROSS WEIGHT	30,480 KG	67,200 LB
TARE WEIGHT ($\pm 2\%$)	2,600 KG	5,730 LB
MAX PAYLOAD	27,880 KG	61,470 LB

The tare weight and heat leakage value will be verified after the proto type test



MACHINERY END

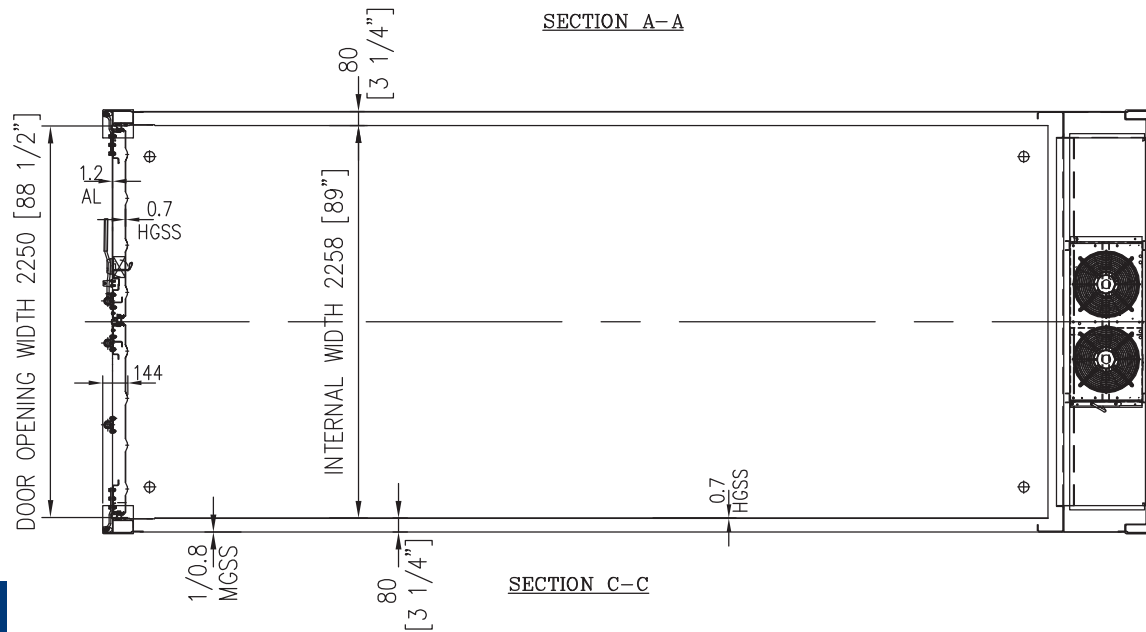
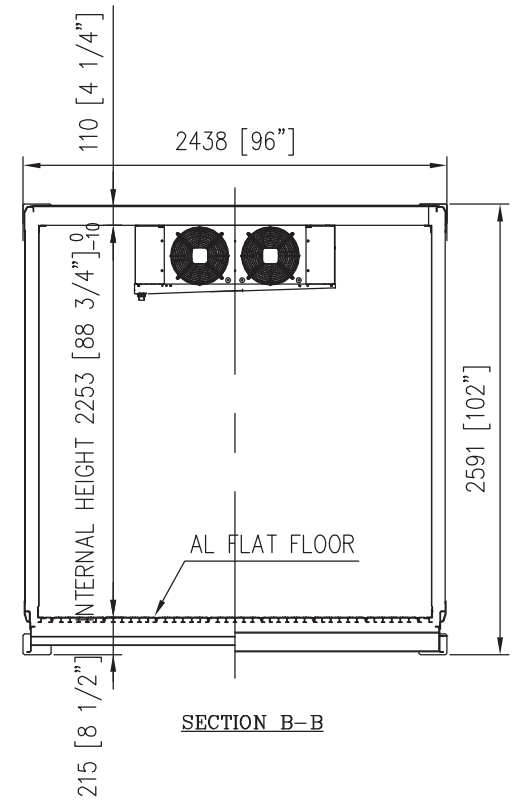
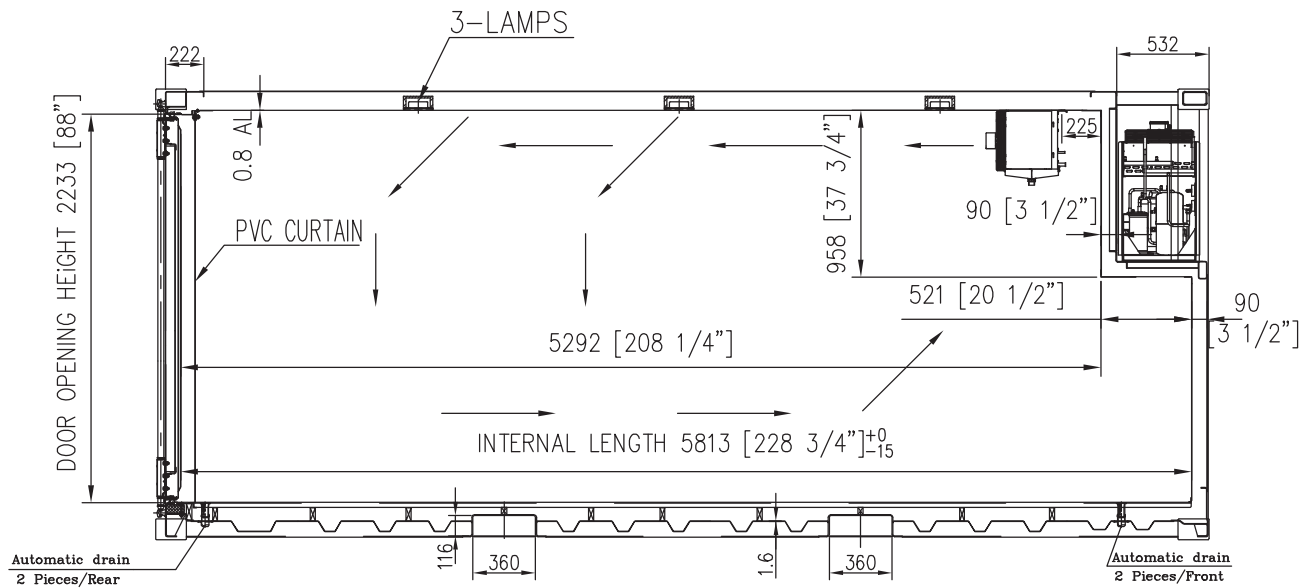


CAN BE OPENED FROM INSIDE
EVEN LOCKED FROM OUTSIDE



20'x8'x8'6" REEFER GENERAL ARRANGEMENT

ISSUE	DATE	DESIGNED	CHECKED	APPROVED	OWNED BY	BTPL	SCALE	1:40	QTY.	
					DESIGNED BY	TJH	DATE	2017.12.08		
					CHECKED BY		DATE			
					APPROVED BY		DATE			
							DWG. NO.:	S20-05GD-809A		
							SHEET	1	OF	2 SHEETS



20'x8'x8'6" REEFER GENERAL ARRANGEMENT							
OWNED BY	BTPL		SCALE	1:30	QTY.		
DESIGNED BY	TJH	DATE	2017.08.23	DWG. NO.: S20-05GD-809A			
CHECKED BY		DATE		SHEET 2 OF 2 SHEETS			
APPROVED BY		DATE					