



Single Phase Unit Reefer Container

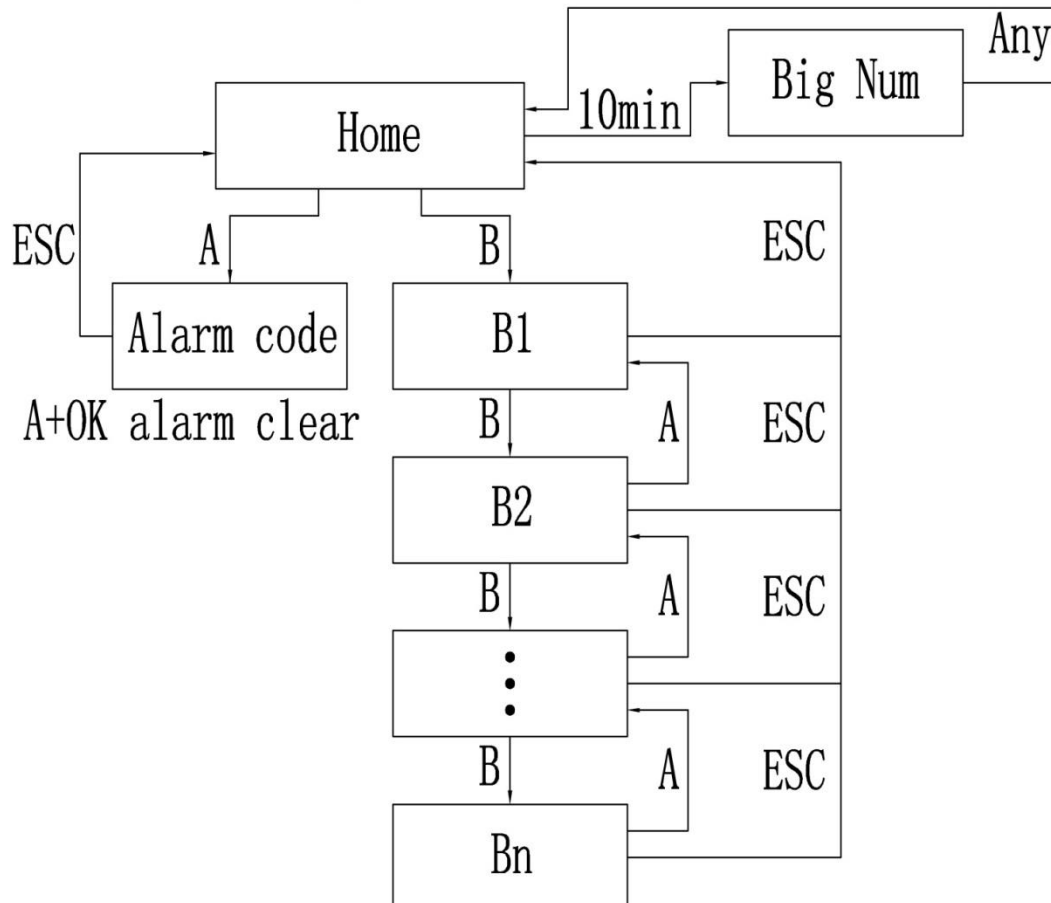
Operation Manual

PLEASE NOTE: THIS FILE IS CONFIDENTIAL AND PRIVILEGED. THE FILE SHOULD NOT BE COPIED, FORWARDED OR USED FOR ANY PURPOSE OR DISCLOSE THE CONTENTS TO ANY PERSON WITHOUT WRITTEN PERMISSION.

Safety notice

- 01、 Do NOT put finger, stick or any foreign matters into the shell of the condensing fan.
- 02、 Do NOT touch the discharging pipe of the compressor during operation because of its high temp.
- 03、 Do NOT open the circuit of the refrigerant otherwise it may cause the leakage of it.
- 04、 Only professionals can adjust the valves on the copper pipes.
- 05、 Do NOT step onto the RU or put anything on it.
- 06、 Do NOT touch the electrical components by wet hands.
- 07、 Electric cabinet and some RU parts are AC 220V power supply. Only professionals can disassemble, repair and modify the RU.
- 08、 One must shut down the power during checking and maintenance.
- 09、 This RU is for storage in static state only, not applicable to operate during transportation.

Operation list



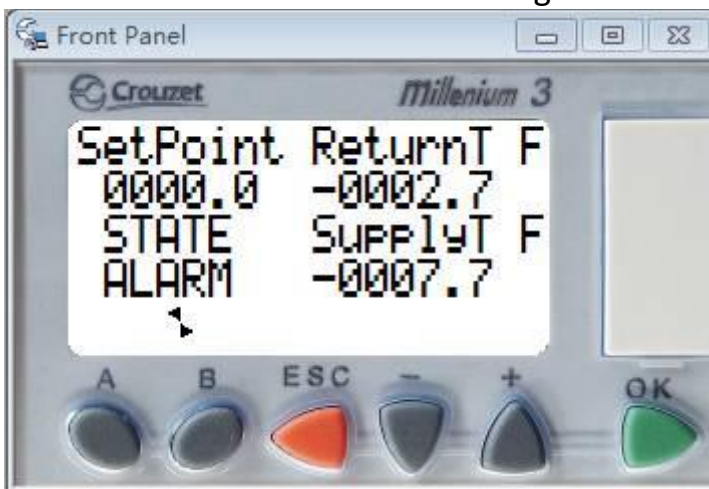
Parameters

Inter- face	Screen Showing Items	Parameter Range	Default	Unit	Remark
Home	set point	-30.0~68.0 -34.0~20.0	0.0/ -18.0	°F/°C	
	Return T	∖	∖	°F/°C	Return air temp
	Supply T	∖	∖	°F/°C	Supply air temp
	STATE	∖	∖	∖	
B1	Evap. T	∖	∖	°F/°C	Evaporator temp
	Ambi T	∖	∖	°F/°C	Ambient temp
B2	C/F unit convert	0/1	1	∖	
B3	defrost cycle	4~36	6	hr	
B4	manual defrost	∖	∖	∖	Start defrost manually
B5	sensor correction SA	-3.0~3.0	0	°C	Supply air
	sensor correction RA	-3.0~3.0	0	°C	Return air
B6	sensor correction EC	-3.0~3.0	0	°C	Evaporator coil
	sensor correction AMB	-3.0~3.0	0	°C	Ambient
B7	software vision	∖	∖	∖	

Setting parameters: Entering the interface to change parameter, press “+” or “-” to choose the parameters. Then press “OK” button to begin setting. Press “+” or “-” to change the value. Press “OK” again when finish setting.

Home interface

1. Set point, internal setting temperature.
2. STATE, shows the status of the unit or container.
 - ALARM: an alarm occurred, press "A" to check alarm code.
 - EF(Evaporator Fan) RUN: in "ST OFF" status, press both "+" & "-" keys for 2s to turn on the EF only.
 - ST OFF: RU power is on, the system is inactive.
 - DOOR OPEN: container door had been opened and the unit stopped.
 - DEFROST: the reefer unit is defrosting
 - COOLER: the reefer unit is cooling.
 - HEATER: the reefer unit is heating.
 - FREEZER: the reefer unit is freezing.

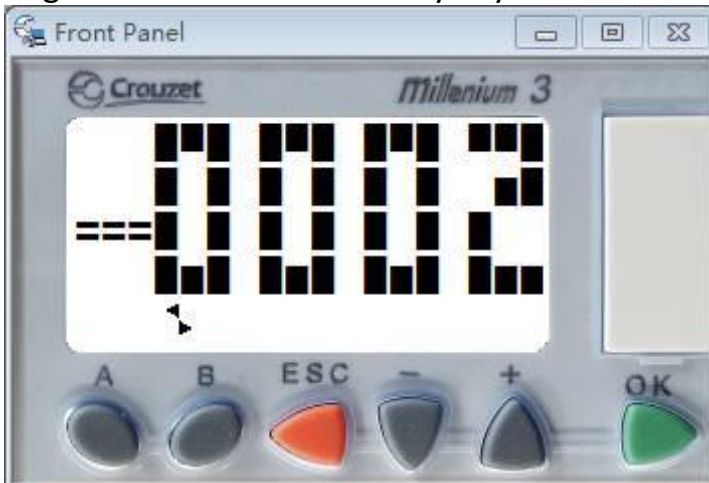


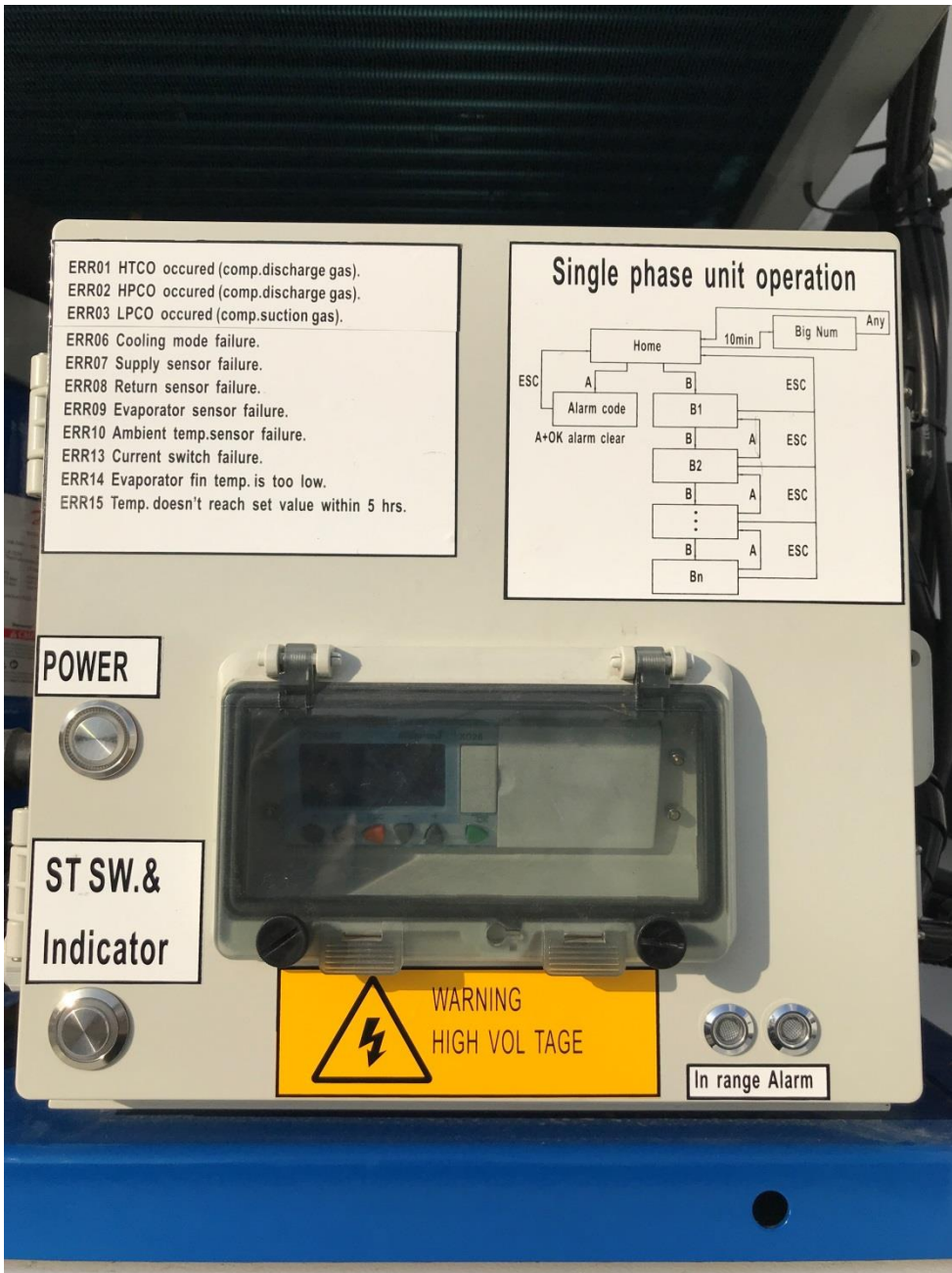
Alarm interface: Showing alarm code.

1. ERR01 HTCO(High Temp Cut Off) occurred.
 2. ERR02 HPCO(High Pressure Cut Off) occurred.
 3. ERR03 LPCO(Low Pressure Cut Off) occurred.
 4. ERR06 Cooling mode failure.
 5. ERR07 Supply sensor failure.
 6. ERR08 Return sensor failure.
 7. ERR09 Evaporator sensor failure.
 8. ERR10 Ambient temp sensor failure.
 9. ERR13 Current switch failure.
 10. ERR14 Evaporator fin temp. is too low.
 11. ERR15 Temp doesn't reach set value within 5 hrs.
- *For detailed explanation, pls refer to *Maintenance Manual*.



Large font: Without operation for 10 mins, the monitor will show room temp in large font as below. Press any key to return to the home interface.





- 1、 Press the “POWER” switch to turn on or shut down the power. When the power is on, the light of POWER will be on.
- 2、 To press the “ST SW. & Indicator” for 2s will start or stop the system. When the system is running, the light of “ST SW. & Indicator” will be on.
- 3、 When the temp reach the set point, the green light of “In range” will be on.
- 4、 When an alarm occurred, the red light of “Alarm” will be on.

Remote switch (Option)



- 1、 To press the “Remote Switch”, the switch light will be on, it means the four quick setup switches on the front wall (the pic on the right) have been enabled.
- 2、 The remote switch “ST switch” has the same function with the main “ST SW.”.
- 3、 When large font mode is on, press the “HMI SP” button on the Quick Setup, the screen will show current set point in large font.
- 4、 Press the remote switch “38°F /3°C” for 2s can adjust the set point to 38°F /3°C.
- 5、 Press the remote switch “32°F /0°C” for 2s can adjust the set point to 32°F /0°C.
- 6、 Press the remote switch “38°F /3°C” and “32°F /0°C” at the same time for 2s can adjust the set point to 0°F /-18°C.

Revision

Spec. Item	Description	Date	Designer