

# Container Specification

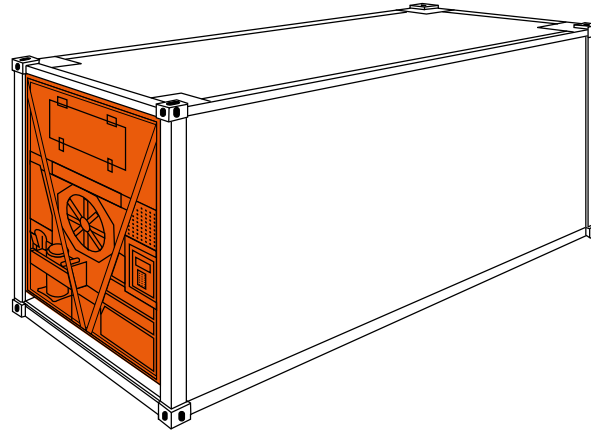
20' 40' Refrigerated Containers

# REFRIGERATED CONTAINER (TEMPERATURE-CONTROLLED CONTAINER)

ISO Size Type Code: 22R1, 22R9

SKU Code: CX20RF

# 20'



- Low CO<sub>2</sub> footprint due to less power-consuming refrigeration technology
- Pre-Trip Inspection (PTI) and maintenance procedure prior to each shipment
- Container built and tested to fulfil or even exceed industrial standards and regulations
- Constant high airflow for perishable products guarantees best temperature maintenance
- Hygienically designed sealing-free container with side lining protecting scuff lining
- Container certified for cold treatment control e.g. meeting requirement of the USDA
- Contemporary insulation factors
- Low tare weight offers advantage of high payload designed container
- Dedicated equipment available for non-foodstuff cargoes
- Container available to maintain temperature control range as low as -40°C up to +30°C
- Container built to maintain temperature in ambient environment up to 50°C
- Multi-temperature setting (MTS) option available
- “On demand” defrosting assists to avoid unnecessary heat supply
- Reefer containers equipped with de-humidification option (including sensor)
- Maximum stowage height indicated by red line inside the container in order to ensure proper air circulation
- ATO-DLO certified by Agrotechnological Research Institute e.g. for flower bulb transportation, bulb mode option available
- All containers are suitable for shore power supply, voltages: 460V / 60Hz or 230V / 60Hz 3 Phase.
- For the technical specification and illustration of electric plug, see page 6

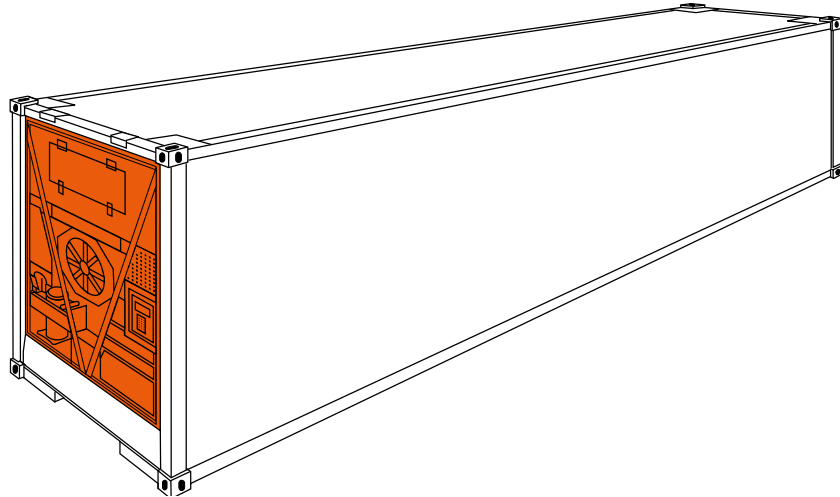
8' 6" high	Inside dimensions				Door openings		Weights			Capacity		
	Length	Width	Height	Max. stow. height (to load line)	Width	Height	Max. gross	Tare	Max. payload			
	mm ft	mm ft	mm ft	mm ft	mm ft	mm ft	kg lbs	kg lbs	kg lbs	m <sup>3</sup> ft <sup>3</sup>		
	5,450 17' 10½"	2,284 7' 5⅞"	2,267 7' 5¼"	2,184 7' 2"	2,290 7' 6⅛"	2,264 7' 5⅞"	30,480	2,905	27,575	28.2		
							67,196	6,404	60,792	996		
		2,280 7' 5¾"	2,259 7' 4⅞"	2,159 7' 1"					32,000	2,860	29,140	28.1
									70,547	6,305	64,242	1,006
	5,446 17' 10¾"	2,293 7' 6¼"	2,255 7' 4¾"	2,155 7' 7⅞"					30,480	2,920	27,560	28.2
									67,196	6,437	60,759	996
	5,454 17' 10¾"	2,290 7' 6⅛"	2,263 7' 5⅞"	2,163 7' 1⅞"				2,252 7' 4⅝"	31,400	2,770	28,630	
									69,220	6,110	63,118	
<b>Non-Foodstuff</b>	5,535 18' 1⅞"	2,316 7' 7⅞"	2,331 7' 7¾"	2,211 7' 3"	2,316 7' 7⅞"	2,290 7' 6⅞"	30,480	3,030	27,450	29.9		
					7' 7⅞"	7' 6⅞"	67,196	6,680	60,516	1,056		
		2,284 7' 5⅞"	2,270 7' 5⅜"	2,150 7' 5⅞"	2,290 7' 6⅞"	2,264 7' 5⅞"	30,480	2,900	27,580	28.7		
						67,196	6,393	60,803	1,014			

# REFRIGERATED CONTAINER (TEMPERATURE-CONTROLLED CONTAINER)

ISO Size Type Code: 45R1 High Cube, 45R9

SKU Code: CX40RF

# 40'

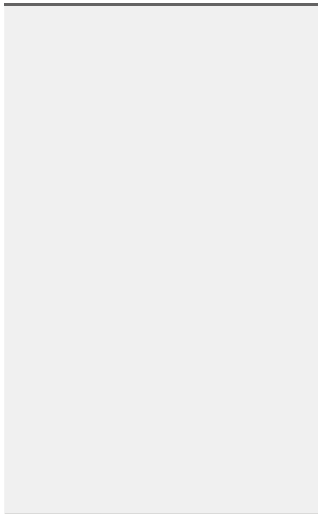


- Low CO<sub>2</sub> footprint due to less power-consuming refrigeration technology
- Pre-Trip Inspection (PTI) and maintenance procedure prior each shipment
- Container built and tested to fulfill or even exceed industrial standards and regulations
- Constant high airflow for perishable products guarantees best temperature maintenance
- Hygienically designed sealing-free container with side lining protecting scuff lining
- Container certified for cold treatment control e.g. meeting requirement of the USDA
- Contemporary insulation factors
- Low tare weight offers advantage of high payload designed container
- Dedicated equipment available for non-foodstuff cargoes
- Container available to maintain temperature control range as low as -40°C up to +30°C
- Container built to maintain temperature in ambient environment up to 50°C
- Multi-temperature setting (MTS) option available
- “On demand” defrosting assists to avoid unnecessary heat supply
- Reefer containers equipped with de-humidification option (including sensor)
- Maximum stowage height indicated by red line inside the container in order to ensure proper air circulation
- Tailor-made atmosphere (TMA) via gas injection (controlled atmosphere technology) available
- ATO-DLO certified by Agrotechnological Research Institute e.g. for flower bulb transportation, bulb mode option available
- All containers are suitable for shore power supply, voltages: 460V / 60Hz or 230V / 60Hz 3 Phase.
- For the technical specification and illustration of electric plug, see page 6

# REFRIGERATED CONTAINER (TEMPERATURE-CONTROLLED CONTAINER)

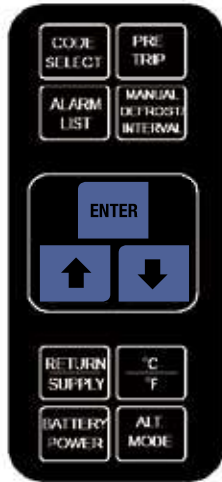
40'

9' 6" high	Inside dimensions				Door openings		Weights			Capacity	
	Length	Width	Height	Max. stow. height (to load line)	Width	Height	Max. gross	Tare	Max. payload		
	mm ft	mm ft	mm ft	mm ft	mm ft	mm ft	kg lbs	kg lbs	kg lbs	m <sup>3</sup> ft <sup>3</sup>	
	11,578 37' 11¼"	2,280 7' 5¾"	2,525 8' 3⅜"	2,425 7' 11½"	2,276 7' 5⅝"	2,535 8' 3¼"	34,000 74,957	4,300 9,480	29,700 65,477	66.7 2,356	
	11,599 38' ¼"	2,290 7' 6⅛"	2,545 8' 4⅛"			2,290 7' 6⅛"	2,557 8' 4⅝"	34,000 74,956	4,420 9,744	29,580 65,212	67.6 2,387
	11,580 37' 11⅞"	2,290 7' 6⅛"	2,540 8' 4"	2,420 7' 11¼"			2,569 8' 5⅛"	34,000 74,957	4,450 9,810	29,550 45,146	67.3 2,380
<b>Non-Foodstuff</b>	11,580 37' 11⅞"	2,290 7' 6⅛"	2,543 8' 4⅛"	2,423 7' 11⅜"	2,294 7' 6¼"	2,550 8' 4⅜"	34,000 74,957	4,550 10,031	29,450 64,925	67.4 2,380	
	11,590 38' ¼"	2,294 7' 6¼"	2,594 8' 6⅝"	2,474 8' 1⅜"	2,290 7' 6⅛"	2,569 8' 5⅛"	34,000 74,956	4,660 10,273	29,340 64,683	67.9 2,398	






# CHANGE OF TEMPERATURE SETPOINT ON REFRIGERATED CONTAINERS

---

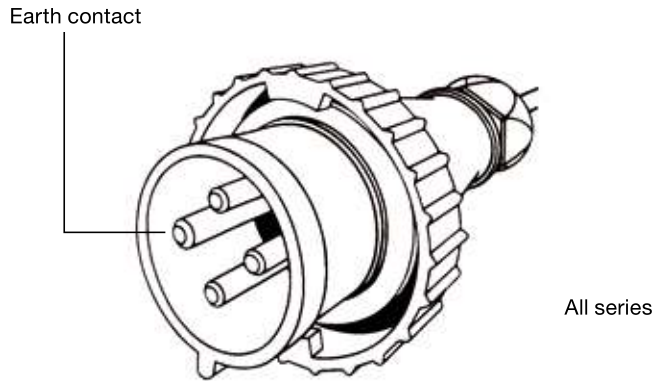


## Carrier

1. Press the  or  key to change the setpoint (the left display will blink).
2. Press the  key at the desired setting to confirm and exit the selection menu.

# ELECTRIC PLUG ON REFRIGERATED CONTAINERS

---



- Refrigerated containers are equipped with 460 V/60 Hz (32 A) plug
- There are fixed cables with a length of up to 18 m (49 ft)
- Couplings for adapters are available
- **Adapters are subject to corresponding safety regulations**

## 460 V plugs:

- 4 poles according to CEE
- According to ISO 1496-2 annex M
- **Earth contact in 3 o'clock position according to socket**

## 230 V plugs (requires transformer):

- 4 poles according to CEE
- According to ISO 1496-2 annex M
- **Earth contact in 3 o'clock position according to socket**