

Copeland™ X-Line

Outdoor Refrigeration Units



Product Information

Horsepower: 3/4 – 6
Temperature Applications: Low/Medium/High
Refrigerants: R-134a, R-22, R-404A, R-407A,
R-407C, R-448A, R-449A, R-507
Installation Applications: A variety of applications including
walk-in boxes, display cases,
island cases, soft serve



Nomenclature • Welded Condensing Units

Temperature Application	Code
High Temperature	H
Medium Temperature	M
Low Temperature	L
Extended Medium Temp.	F
Extra Low Temperature	E
Multiple	S
Multiple	N
Multiple	P
R-404A LT and R-134a HT	K

Compressor Motor Types		
Phase	Description	Code
1	Capacitor Run - Capacitor Start	C
1	Induction Run - Capacitor Start	I
1	Induction Run - Split Phase	S
1	Capacitor Run - Permanent Split	P
3	Three Phase - General 3 Lead Single Voltage 6 Lead Part Winding 575V 9 Lead Dual Voltage	T
3	Star (Wye) Delta	E
3	6 Lead - Part Winding or Across the Line	F

Bill Of Material (BOM)	
001 thru 099	Intended for UL Listing and CUL Certified
100 thru 299	Intended for UL Recognition and CUL Certified
300 thru 399	Not eligible for either UL Listing, UL Recognition or CUL Certified

X X X X - X X X X - X X X - X X X

Condensing Unit Family Series	
R404A/507	J/4
R134a	T/2
R12	B
R22	C/3/M
Multiple	F
R22/407C	G
R22	9
R134a/404A/22	N
R134a/404A	P
R404A/22	8

Type of Design		Code
Air-Cooled Steel Base		A
Air-Cooled Copevap Base		E/P
Narrow Air-Cooled Copevap		T
Water-Cooled Steel Base		W
Custom Base		C
Discus		D

Comp. Motor Rating	
Nominal HP	Code
1/2	0050
3/4	0075
1	0100
1-1/2	0150
2	0200
3	0300
4	0400
5	0500
6	0600
7-1/2	0750
9	0900
10	1000
15	1500

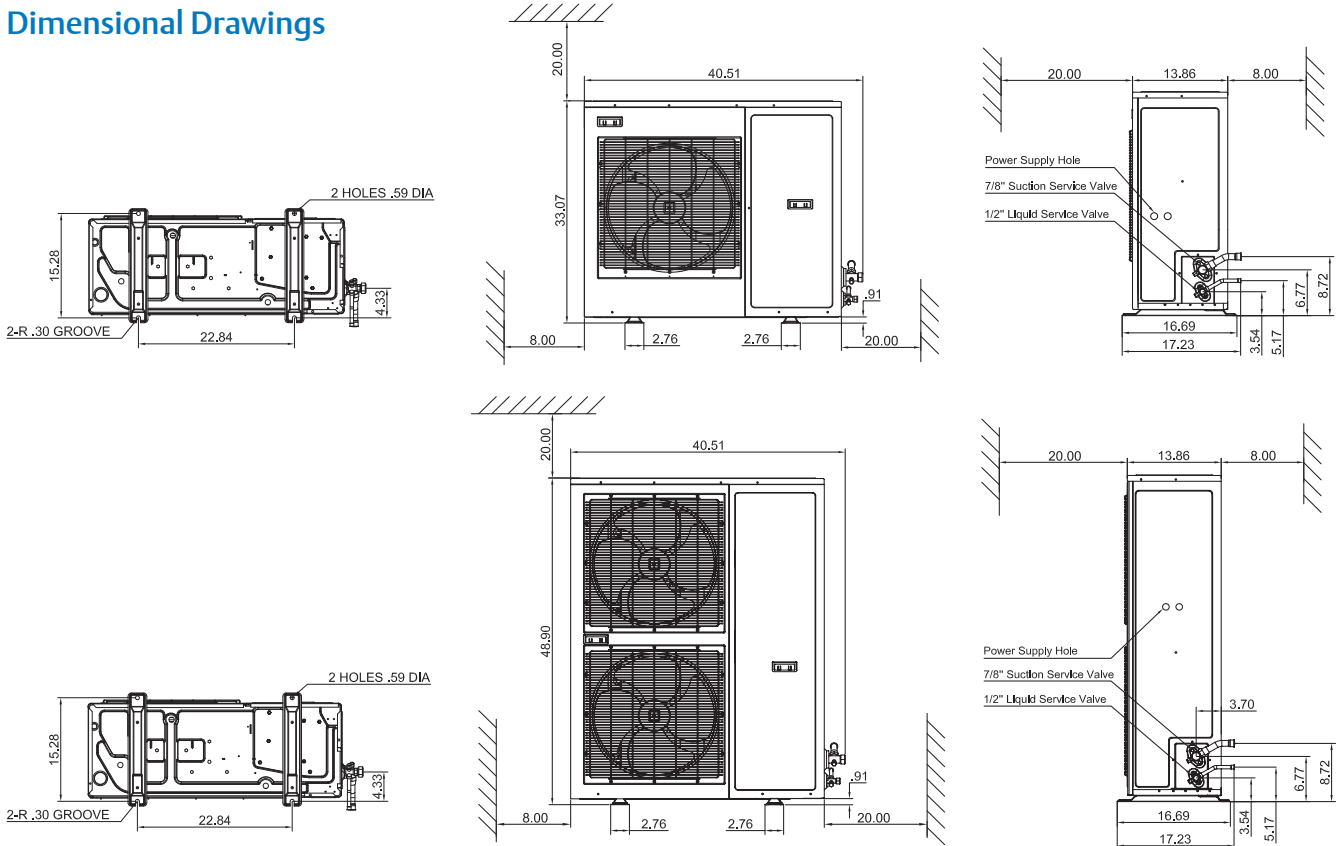
Note: Left position may be a letter indicating a revision change.

Electrical Codes		
60 Hz.	50 Hz.	Code
115-1	100-1	A
230-1	-	B
208/230-3	200/220-3	C
460-3	-	D
575-3	-	E
-	230-1	G
-	380/420-3	M
208/230-1	200-1	V
-	220-3	W
-	220/240-1	Z

Compressor Motor Protection	
Type Protection	Code
External Inherent Protection - One Protector (Line Break)	A
Internal Inherent Protection - One Protector (Line Break)	F
Internal Thermal Protection - Electronic Sensors; and Control Module External	S

Fixed Speed	Code
Fixed Speed	Z
Digital	D

Dimensional Drawings

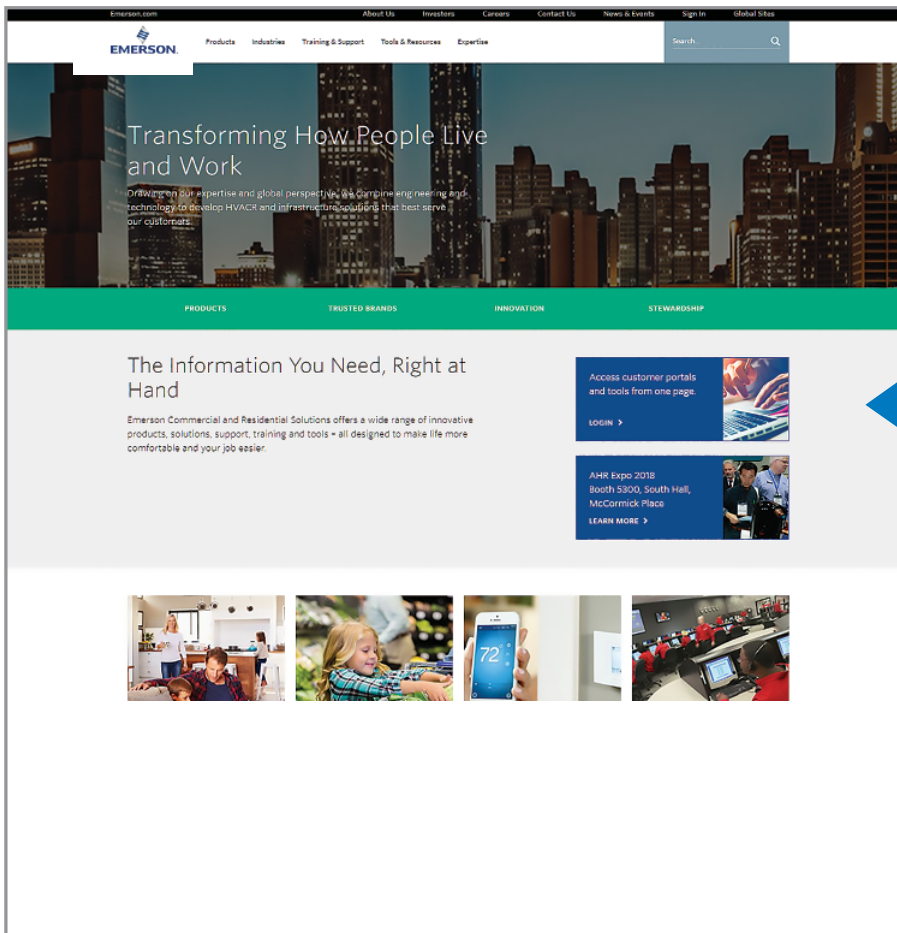


Bill of Materials Matrix

BOM	Options															UL	
	Receiver w/Valve	Receiver Heater/Insulation	Suction Valve	Liquid Valve	Accumulator (XFAL, XFAP Only)	Oil Separator (Low Temp Fixed and Med Temp Digital)	Pressure Controls (Adjustable Low, Fixed High)	Defrost Control	Filter Drier	Moisture Indicator/Sight Glass	Crankcase Heater	Variable Speed Condenser Fan	Demand Cooling Low Temp (2-6HP) - Enhanced Vapor Injection (EVI) Low Temp (3/4 -1.5HP) - Med/Ext Med Temp - Liquid Injection	Two-Way Communication	Onboard Diagnostics/Protection	Listed	Recognized
Air-Cooled																	
081	X	X	X	X	X	X	X	X	X	X	X	X	X	X	X	X	X

All information in this catalog is for reference only and subject to change without notice. Please visit Climate.Emerson.com/OPI for a complete listing of all available models and updated information.

For AWEF scores, see p.24.



Climate.Emerson.com

Register for more product information

For more information, visit Climate.Emerson.com/OPI and login to the Customer Portal to view Online Product Information.

Copeland™ Outdoor Refrigeration Units

Features	Benefits
Copeland Scroll Compressor Variable Speed Fan Motor	Reliability, High Energy Efficiency, Low Sound & Vibration
Advanced Diagnostics and Protection Features	Faster Troubleshooting Warranty Reduction
Factory Installed EK Filter Drier and HMI Moisture Indicator	Fewer Leaks, Reduced Callbacks, Lower Installation Costs, Increased Equipment Reliability, Lower Warranty
Slim Profile Design and Light Weight	Application Flexibility

Resources and Support

Climate.Emerson.com/CopelandOutdoorUnit

■ Online Product Information and Technical Data

- Application Engineering Bulletins
- Instruction Sheets
- Marketing Brochures
- Videos

■ Product Selection Tools

- Walk-In Box Load Calculator
- Energy Savings Calculator

■ Where to Buy

Application Engineering Bulletins

- 4-1273 Factors to Consider in Converting Compressor Rated Capacity to Actual Capacity
- 4-1295 HFC-134A Refrigerant Guidelines
- 4-1299 Application Guidelines for Copeland Scroll Compressors 2 - 6 Horsepower
- 4-1327 Economized Vapor Injection (EVI) Compressors
- 4-1387 Application Guidelines for ZS** KAE Copeland Scroll™ Refrigeration Compressors 1.3-4.5 HP
- 5-1412 Copeland Scroll Outdoor Refrigeration Unit Installation and Reference Manual
- 11-1147 Suction Accumulators
- 11-1297 Liquid Line Filter-Driers
- 17-1260 Compressor Overheating
- 17-1268 Compression Ratio as it Affects Compressor Reliability
- 22-1182 Liquid Refrigerant Control in Refrigeration and Air Conditioning Systems

Sound Data

	Model	dBa*
MED TEMP	Single fan	55
	Double fan	58
LOW TEMP	Single fan	53
	Double fan	59

Sound pressure values are 10 feet from the unit at 25°F evap for MT and -10°F evap for LT at 90°F ambient. A sound reduction of up to 3 dBA will occur in ambient temperatures below 70°F. This data is typical of “free field” conditions for horizontal air-cooled condensing units and may vary depending on the condensing unit installation. There are many factors that affect the sound reading of a condensing unit such as unit mounting, reflecting walls, background noise and operating condition.

Medium Temp – Air-Cooled

90° Ambient															
HP	Model	Compressor	Electrical	Refrigerant	Capacity (BTU/Hr) @ SST, 40°F RG (65°F RG in Bold), 5°F Subcooling										
					0	5	10	15	20	25	30	35	40	45	
3/4	XFAM-008Z	ZB06KAE	CFV, TFC	R-134a	2600	2960	3370	3830	4340	4980	5600	6280	7010	7800	
				R-404A	4540	5100	5730	6420	7180	8280	9180	10200	11200	12300	
				R-407A	4090	4590	5170	5820	6550	7460	8330	9280	10300	11400	
				R-407C	3710	4260	4850	5490	6170	6990	7790	8660	9590	10600	
				R-448A	4270	4810	5420	6070	6780	7640	8460	9320	10200	11200	
				R-449A	4270	4810	5420	6070	6780	7640	8460	9320	10200	11200	
				R-507	4540	5100	5730	6420	7180	8280	9180	10200	11200	12300	
1	XFAM-010Z	ZB07KAE	CFV, TFC	R-134a	3180	3620	4110	4660	5270	6030	6770	7580	8440	9380	
				R-404A	5430	6140	6910	7750	8670	10000	11100	12400	13700	15200	
				R-407A	4970	5660	6390	7190	8030	9050	10000	11000	12000	13100	
				R-407C	4470	5110	5800	6560	7380	8350	9300	10300	11400	12500	
				R-448A	5030	5680	6400	7180	8040	9080	10100	11100	12200	13400	
				R-449A	5030	5680	6400	7180	8040	9080	10100	11100	12200	13400	
				R-507	5430	6140	6910	7750	8670	10000	11100	12400	13700	15200	
1 1/4	XFAM-012Z	ZB08KAE	CFV, TFC	R-134a	3770	4280	4850	5490	6200	7080	7930	8850	9850	10900	
				R-404A	6430	7190	8010	8910	9900	11400	12600	14100	15600	17400	
				R-407A	5920	6750	7620	8510	9430	10500	11500	12500	13500	14600	
				R-407C	5340	6050	6830	7670	8590	9690	10800	12000	13200	14600	
				R-448A	5910	6660	7490	8400	9410	10600	11800	13000	14400	15700	
				R-449A	5910	6660	7490	8400	9410	10600	11800	13000	14400	15700	
				R-507	6430	7190	8010	8910	9900	11400	12600	14100	15600	17400	
1 1/2	XFAM-015Z	ZS09KAE	CFV, TFC	R-134a	4380	4970	5610	6310	7070	8020	8920	9900	11000	12100	
				R-22					9990	11100	12200	13400	14700	16200	17700
				R-404A	7310	8160	9090	10100	11200	12700	14000	15300	16700	18300	
				R-407A	6940	7730	8590	9520	10500	11800	13000	14400	15900	17500	
				R-407C	5960	6880	7850	8870	9940	11200	12400	13600	15000	16400	
				R-448A	6220	6990	7830	8760	9780	11100	12300	13700	15200	16900	
				R-449A	6220	6990	7830	8760	9780	11100	12300	13700	15200	16900	
1 3/4	XFAM-017Z	ZS11KAE	CFV, TFC	R-134a	5210	5920	6680	7510	8400	9520	10600	11700	13000	14300	
				R-22					11800	13100	14400	15900	17400	19100	20900
				R-404A	8780	9790	10900	12100	13400	15200	16700	18300	19900	21700	
				R-407A	8240	9180	10200	11300	12500	14000	15400	17000	18700	20600	
				R-407C	7080	8180	9330	10500	11800	13200	14600	16100	17700	19300	
				R-448A	7460	8370	9370	10500	11700	13200	14700	16300	18100	20100	
				R-449A	7460	8370	9380	10500	11700	13200	14700	16400	18100	20100	
2	XFAM-020Z	ZS13KAE	CFV, TFC	R-134a	5930	6730	7590	8530	9550	10800	12000	13300	14700	16200	
				R-22	9540	10800	12100	13500	15000	16500	18100	19800	21700	23700	
				R-404A	10700	11900	13100	14300	15700	17600	19200	20800	22500	24300	
				R-407A	9360	10400	11600	12800	14100	15800	17400	19200	21100	23300	
				R-407C	8050	9300	10600	12000	13400	15000	16600	18300	20000	21900	
				R-448A	8510	9490	10600	11800	13100	14900	16600	18400	20500	22800	
				R-449A	8510	9490	10600	11800	13100	14900	16600	18400	20500	22900	
2 1/4	XFAM-022Z	ZS15KAE	CFV, TFC	R-134a	7120	8070	9100	10200	11400	12900	14400	15900	17500	19300	
				R-22					15800	17400	19200	21000	23000	25200	27500
				R-404A	11900	13300	14700	16300	18000	20400	22300	24300	26400	28600	
				R-407A	11200	12500	13800	15300	16900	18800	20800	22800	25100	27500	
				R-407C	9650	11100	12700	14300	16000	17900	19800	21800	23800	25900	
				R-448A	10200	11400	12800	14200	15900	17900	19900	22100	24500	27000	
				R-449A	10200	11400	12800	14200	15900	18000	19900	22100	24500	27100	
2 1/2	XFAM-025Z	ZS19KAE	CFV, TFC	R-134a	8010	9070	10200	11500	12800	14500	16100	17800	19600	21600	
				R-22	12600	14200	16000	17700	19600	21600	23600	25900	28200	30800	
				R-404A	13400	14900	16500	18200	20000	22700	24700	26900	29200	31600	
				R-407A	12600	14000	15500	17100	18800	21100	23200	25500	28000	30700	
				R-407C	10800	12500	14200	16000	17900	20100	22100	24300	26600	28900	
				R-448A	11600	12900	14400	15900	17600	19800	21900	24300	27000	30000	
				R-449A	11600	12900	14400	15900	17600	19800	22000	24400	27000	30000	
R-507	13400	14900	16500	18200	20000										

Medium Temp – Air-Cooled

90° Ambient														
HP	Model	Compressor	Electrical	Refrigerant	Capacity (BTU/Hr) @ SST, 40°F RG (65°F RG in Bold), 5°F Subcooling									
					0	5	10	15	20	25	30	35	40	45
3	XFAM-030Z	ZS21KAE	CFV, TFC	R-134a	10700	12100	13600	15200	17000	19200	21300	23500	25900	28400
				R-22				23400	25900	28400	31000	33900	36900	40100
				R-404A	17600	19500	21600	23800	26200	29300	31900	34500	37300	40200
				R-407A	16400	18100	20100	22100	24400	27200	29900	32800	35900	39200
				R-407C	14400	16600	18900	21200	23700	26500	29200	32000	34800	37800
				R-448A	16300	18300	20400	22700	25100	28000	30700	33600	36600	39700
				R-449A	16300	18300	20400	22700	25000	28000	30700	33600	36600	39700
				R-507	17600	19500	21600	23800	26200	29300	31900	34500	37300	40200
3 1/4	XFAM-033Z	ZS26KAE	CFV, TFC	R-134a	11800	13300	15000	16800	18700	21100	23400	25800	28400	31200
				R-22	18300	20700	23200	25700	28400	31100	34000	37100	40400	43800
				R-404A	20700	22800	24900	27200	29400	33000	35500	38100	40700	43400
				R-407A	17300	19400	21800	24300	27000	30300	33400	36700	40200	43900
				R-407C	15900	18300	20800	23400	26000	29100	32000	35000	38100	41400
				R-448A	17300	19200	21300	23700	26200	29300	32300	35400	38600	42100
				R-449A	17300	19200	21300	23700	26200	29300	32200	35300	38600	42000
				R-507	20700	22800	24900	27200	29400					
3 3/4	XFAM-037Z	ZS29KAE	CFV, TFC	R-134a	13100	14800	16700	18700	20800	23500	25900	28600	31400	34500
				R-22	20300	23000	25700	28500	31400	34400	37600	40900	44400	48100
				R-404A	23200	25500	27900	30300	32800	36700	39400	42100	44900	47700
				R-407A	20000	22200	24500	26900	29600	33000	36100	39500	43100	46900
				R-407C	17600	20300	23100	25900	28900	32300	35400	38700	42100	45500
				R-448A	20200	22500	25000	27600	30400	33800	36800	40000	43200	46600
				R-449A	20200	22500	25000	27600	30300	33800	36800	39900	43100	46500
				R-507	23200	25500	27900	30300	32800					
4 1/2	XFAM-045Z	ZS33KAE	CFV, TFC	R-134a	14700	16600	18600	20900	23300	26400	29200	32300	35500	39000
				R-22				32100	35500	39000	42700	46600	50500	55000
				R-404A	24300	27000	29800	32900	36200	40700	44200	47900	52000	56000
				R-407A	23000	25500	28200	31100	34200	38200	41900	45900	50500	55000
				R-407C	19700	22700	25800	29100	32500	36400	40100	43900	47900	52000
				R-448A	22500	25300	28300	31500	34800	39000	42800	46800	51000	55500
				R-449A	22500	25300	28300	31500	34800	39000	42800	46900	51000	55500
				R-507	24300	27000	29800	32900	36200	40700	44200	47900	52000	56000
5	XFAM-050Z	ZS38K4E	CFV, TFC	R-134a	17000	19200	21500	24100	26800	30300	33500	37000	40600	44500
				R-22				36600	40300	44200	48300	52500	57500	62000
				R-404A	29000	31900	35000	38400	41900	47300	51500	55500	60000	65000
				R-407A	26100	29400	32800	36500	40300	45000	49200	53500	58000	62500
				R-407C	25900	29100	32500	36100	39900	44400	48500	52500	57000	61500
				R-448A	26300	29700	33400	37300	41400	46300	51000	55500	60000	64500
				R-449A	26300	29700	33400	37300	41400	46300	51000	55500	60000	64500
				R-507	29000	31900	35000	38400	41900	47300	51500	55500	60000	65000
6	XFAM-060Z	ZS45K4E	TFC	R-134a	20200	22800	25600	28600	31800	35900	39800	43900	48200	53000
				R-22				43600	48000	52500	57500	63000	68500	74000
				R-404A	34400	37800	41400	45200	49300	55500	60500	65500	70500	76000
				R-407A	31200	35000	39000	43300	47800	53500	58000	63500	68500	74000
				R-407C	30900	34700	38600	42900	47300	52500	57500	62500	67500	73000
				R-448A	31200	35200	39500	44100	48800	54500	60000	65000	70500	76000
				R-449A	31200	35200	39500	44100	48800	54500	60000	65000	70500	76000
				R-507	34400	37800	41400	45200	49300	55500	60500	65500	70500	76000

Medium Temp – Air-Cooled

95° Ambient														
HP	Model	Compressor	Electrical	Refrigerant	Capacity (BTU/Hr) @ SST, 40°F RG (65°F RG in Bold), 5°F Subcooling									
					0	5	10	15	20	25	30	35	40	45
3/4	XFAM-008Z	ZB06KAE	CFV, TFC	R-134a	2570	2930	3330	3780	4280	4830	5440	6090	6810	7580
				R-404A	4590	5160	5780	6470	7220	8030	8900	9820	10800	11800
				R-407A	4040	4530	5100	5740	6440	7220	8070	8990	9970	11000
				R-407C	3650	4190	4770	5390	6050	6770	7550	8390	9280	10300
				R-448A	4190	4730	5320	5960	6650	7390	8180	9020	9910	10800
				R-449A	4200	4740	5330	5970	6660	7400	8190	9030	9920	10900
				R-507	4650	5230	5870	6570	7340	8170	9050	10000	11000	12100
1	XFAM-010Z	ZB07KAE	CFV, TFC	R-134a	3150	3580	4070	4610	5210	5870	6580	7360	8200	9110
				R-404A	5500	6210	6970	7800	8700	9690	10800	11900	13200	14600
				R-407A	4870	5560	6290	7070	7910	8780	9700	10700	11700	12700
				R-407C	4400	5030	5700	6440	7230	8080	9000	9970	11000	12100
				R-448A	4960	5600	6300	7060	7890	8780	9730	10700	11800	12900
				R-449A	4970	5600	6300	7070	7900	8790	9740	10800	11800	13000
				R-507	5590	6310	7090	7940	8860	9870	11000	12200	13500	14900
1 1/4	XFAM-012Z	ZB08KAE	CFV, TFC	R-134a	3740	4240	4800	5430	6120	6880	7700	8600	9560	10600
				R-404A	6500	7260	8070	8950	9920	11000	12200	13500	15100	16700
				R-407A	5830	6650	7500	8370	9280	10200	11200	12200	13200	14200
				R-407C	5260	5960	6710	7520	8410	9370	10400	11500	12800	14100
				R-448A	5840	6560	7370	8260	9230	10300	11400	12600	13800	15200
				R-449A	5840	6570	7380	8270	9240	10300	11400	12600	13900	15200
				R-507	6610	7390	8220	9120	10100	11200	12500	13900	15400	17200
1 1/2	XFAM-015Z	ZS09KAE	CFV, TFC	R-134a	4350	4930	5560	6250	7000	7810	8690	9640	10700	11800
				R-22	7460	8330	9250	10200	11300	12400	13600	14800	16200	17600
				R-404A	7460	8330	9250	10200	11300	12400	13600	14800	16200	17600
				R-407A	6830	7600	8440	9350	10300	11400	12600	13900	15400	16900
				R-407C	5870	6790	7740	8740	9780	10900	12000	13300	14500	15900
				R-448A	6260	6970	7760	8640	9620	10700	11900	13300	14900	16600
				R-449A	6260	6970	7760	8640	9620	10700	11900	13300	14900	16600
R-507	7460	8330	9250	10200	11300	12400	13600	14800	16200	17600				
1 3/4	XFAM-017Z	ZS11KAE	CFV, TFC	R-134a	5180	5870	6620	7430	8310	9270	10300	11400	12600	13900
				R-22	8110	9210	10300	11500	12800	14100	15500	17000	18600	20300
				R-404A	8680	9690	10800	11900	13100	14400	15700	17200	18700	20300
				R-407A	8110	9020	10000	11100	12200	13500	14900	16500	18100	20000
				R-407C	6980	8060	9190	10400	11600	12900	14300	15700	17200	18800
				R-448A	7490	8340	9270	10300	11500	12800	14200	15900	17700	19700
				R-449A	7490	8340	9270	10300	11500	12800	14200	15900	17700	19700
R-507	8680	9690	10800	11900	13100	14400	15700	17200	18700	20300				
2	XFAM-020Z	ZS13KAE	CFV, TFC	R-134a	5890	6680	7530	8450	9440	10500	11700	13000	14300	15800
				R-22	9270	10500	11800	13200	14600	16000	17600	19300	21200	23100
				R-404A	10800	11900	13100	14400	15600	17000	18400	19900	21500	23100
				R-407A	9210	10200	11400	12600	13900	15300	16900	18600	20500	22500
				R-407C	7930	9160	10400	11800	13200	14600	16200	17800	19500	21200
				R-448A	8510	9470	10500	11700	13000	14500	16100	17900	19900	22200
				R-449A	8520	9480	10500	11700	13000	14500	16100	17900	20000	22200
R-507	10800	11900	13100	14400	15600	17000	18400	19900	21500	23100				
2 1/4	XFAM-022Z	ZS15KAE	CFV, TFC	R-134a	7070	8010	9020	10100	11300	12600	14000	15500	17100	18800
				R-22	10800	12300	13800	15300	17000	18700	20500	22400	24500	26800
				R-404A	13000	14400	15800	17200	18700	20300	22000	23700	25500	27400
				R-407A	10500	11800	13300	14800	16500	18300	20300	22400	24600	27000
				R-407C	9490	11000	12500	14100	15700	17500	19300	21200	23100	25200
				R-448A	10200	11400	12600	14000	15500	17300	19200	21300	23700	26300
				R-449A	10200	11400	12600	14000	15500	17300	19200	21300	23700	26300
R-507	13000	14400	15800	17200	18700	20300	22000	23700	25500	27400				
2 1/2	XFAM-025Z	ZS19KAE	CFV, TFC	R-134a	7950	9000	10100	11400	12700	14100	15700	17300	19100	21000
				R-22	12200	13800	15500	17300	19100	21000	23000	25200	27500	30000
				R-404A	13300	14900	16500	18100	19900	21700	23600	25700	27800	30100
				R-407A	12300	13700	15200	16800	18500	20400	22400	24600	27000	29700
				R-407C	10700	12300	14000	15800	17600	19600	21600	23600	25800	28100
				R-448A	11600	12800	14200	15700	17400	19200	21300	23600	26200	29100
				R-449A	11600	12900	14200	15700	17400	19200	21300	23600	26200	29100
R-507	13300	14900	16500	18100	19900	21700	23600	25700	27800	30100				

Medium Temp – Air-Cooled

95° Ambient														
HP	Model	Compressor	Electrical	Refrigerant	Capacity (BTU/Hr) @ SST, 40°F RG (65°F RG in Bold), 5°F Subcooling									
					0	5	10	15	20	25	30	35	40	45
3	XFAM-030Z	ZS21KAE	CFV, TFC	R-134a	10600	12000	13500	15100	16800	18700	20700	22800	25200	27600
				R-22	16100	18300	20500	22800	25100	27600	30200	33000	35900	39000
				R-404A	17600	19500	21600	23700	25900	28200	30600	33100	35700	38400
				R-407A	16100	17800	19700	21700	23900	26300	28900	31600	34700	37900
				R-407C	14100	16300	18600	20900	23300	25800	28400	31100	33900	36700
				R-448A	15800	17800	19800	21900	24200	26500	29000	31500	34200	37000
				R-449A	15800	17800	19800	21900	24200	26500	29000	31500	34200	37000
				R-507	17600	19500	21600	23700	25900	28200	30600	33100	35700	38400
3 1/4	XFAM-033Z	ZS26KAE	CFV, TFC	R-134a	11700	13200	14900	16600	18500	20600	22800	25100	27600	30300
				R-22	17700	20100	22500	25000	27600	30300	33100	36100	39200	42600
				R-404A	20700	22900	25000	27200	29400	31700	34000	36300	38800	41300
				R-407A	16900	19100	21400	23800	26500	29300	32300	35500	38900	42500
				R-407C	15600	18000	20500	23000	25700	28400	31200	34100	37100	40200
				R-448A	16800	18700	20800	23000	25500	28100	30900	33900	37100	40400
				R-449A	16800	18700	20800	23000	25500	28100	30900	33900	37000	40300
				R-507	20700	22900	25000	27200	29400	31700	34000	36300	38800	41300
3 3/4	XFAM-037Z	ZS29KAE	CFV, TFC	R-134a	13100	14700	16500	18500	20600	22800	25200	27800	30600	33500
				R-22	19700	22300	25000	27700	30500	33500	36500	39800	43200	46800
				R-404A	23300	25700	28000	30400	32800	35300	37700	40300	42800	45400
				R-407A	19700	21800	24000	26400	29000	31800	34800	38100	41600	45300
				R-407C	17300	20000	22700	25500	28400	31400	34500	37600	40900	44200
				R-448A	19600	22000	24500	27000	29700	32500	35500	38500	41600	44800
				R-449A	19600	22000	24500	27000	29700	32500	35400	38400	41500	44700
				R-507	23300	25700	28000	30400	32800	35300	37700	40300	42800	45400
4 1/2	XFAM-045Z	ZS33KAE	CFV, TFC	R-134a	14600	16500	18500	20700	23100	25600	28400	31400	34500	37900
				R-22	22100	25100	28100	31300	34500	37900	41500	45200	49300	53500
				R-404A	24300	27100	29900	32900	35900	39100	42500	46000	49600	53500
				R-407A	22600	25000	27600	30500	33500	36800	40400	44300	48500	53000
				R-407C	19300	22300	25400	28700	32000	35400	39000	42700	46500	50500
				R-448A	21900	24600	27400	30400	33500	36800	40300	43900	47600	51500
				R-449A	21900	24600	27400	30400	33500	36800	40300	43900	47600	51500
				R-507	25100	27900	30900	34000	37200	40500	44000	47700	51500	55500
5	XFAM-050Z	ZS38K4E	CFV, TFC	R-134a	16800	19000	21300	23800	26500	29400	32600	35900	39500	43300
				R-22			32400	35700	39200	43000	47100	51500	56000	60500
				R-404A	29700	32700	35900	39300	42900	46700	51000	55000	59500	64000
				R-407A	25700	28800	32300	35900	39600	43600	47600	52000	56000	60500
				R-407C	25300	28400	31800	35300	39000	42900	46900	51000	55500	59500
				R-448A	25500	28900	32500	36300	40400	44500	48800	53000	58000	62500
				R-449A	25500	28900	32500	36300	40400	44500	48800	53000	58000	62500
				R-507	29700	32700	35900	39300	42900	46700	51000	55000	59500	64000
6	XFAM-060Z	ZS45K4E	TFC	R-134a	20000	22600	25300	28300	31500	35000	38700	42700	46900	51500
				R-22				42500	46800	51500	56000	61000	66500	72000
				R-404A	34200	37600	41100	44900	49000	53000	57500	62500	67500	72500
				R-407A	30700	34400	38400	42600	47000	51500	56500	61500	66500	71500
				R-407C	30200	33900	37800	42000	46300	51000	55500	60500	65500	70500
				R-448A	30400	34300	38500	42900	47600	52500	57500	62500	68000	73500
				R-449A	30400	34300	38500	42900	47600	52500	57500	62500	68000	73500
				R-507	34200	37600	41100	44900	49000	53000	57500	62500	67500	72500

Medium Temp – Air-Cooled

100° Ambient														
HP	Model	Compressor	Electrical	Refrigerant	Capacity (BTU/Hr) @ SST, 40°F RG (65°F RG in Bold), 5°F Subcooling									
					0	5	10	15	20	25	30	35	40	45
3/4	XFAM-008Z	ZB06KAE	CFV, TFC	R-134a	2430	2770	3160	3590	4070	4690	5270	5910	6600	7350
				R-404A	4170	4700	5280	5920	6610	7650	8480	9350	10300	11200
				R-407A	3830	4300	4830	5440	6120	6990	7810	8700	9650	10700
				R-407C	3450	3980	4530	5130	5770	6560	7310	8110	8980	9910
				R-448A	3950	4460	5030	5640	6300	7140	7910	8730	9590	10500
				R-449A	3950	4460	5030	5640	6300	7140	7910	8730	9590	10500
				R-507	4170	4700	5280	5920	6610	7650	8480	9350	10300	11200
1	XFAM-010Z	ZB07KAE	CFV, TFC	R-134a	2980	3400	3860	4380	4960	5690	6390	7140	7960	8830
				R-404A	5040	5690	6390	7150	7980	9240	10300	11400	12600	13900
				R-407A	4570	5240	5960	6720	7520	8520	9410	10300	11300	12300
				R-407C	4170	4770	5430	6130	6890	7820	8700	9630	10600	11700
				R-448A	4690	5290	5960	6690	7480	8490	9410	10400	11400	12500
				R-449A	4690	5290	5960	6690	7480	8490	9410	10400	11400	12500
				R-507	5040	5690	6390	7150	7980	9240	10300	11400	12600	13900
1 1/4	XFAM-012Z	ZB08KAE	CFV, TFC	R-134a	3540	4020	4560	5160	5820	6670	7470	8330	9270	10300
				R-404A	5950	6650	7390	8190	9080	10500	11600	12900	14400	16000
				R-407A	5510	6300	7120	7960	8830	9900	10800	11800	12800	13800
				R-407C	5010	5670	6390	7160	8000	9050	10000	11100	12300	13600
				R-448A	5520	6210	6980	7830	8750	9920	11000	12100	13300	14600
				R-449A	5520	6210	6980	7830	8750	9920	11000	12100	13300	14600
				R-507	5950	6650	7390	8190	9080	10500	11600	12900	14400	16000
1 1/2	XFAM-015Z	ZS09KAE	CFV, TFC	R-134a	4150	4710	5310	5960	6680	7590	8440	9370	10400	11400
				R-22				9460	10500	11600	12700	14000	15300	16800
				R-404A	6750	7530	8370	9300	10300	11700	12800	14000	15300	16600
				R-407A	6480	7210	8010	8880	9820	11100	12200	13500	14900	16400
				R-407C	5580	6480	7420	8390	9400	10600	11700	12900	14100	15400
				R-448A	5970	6660	7440	8290	9250	10500	11700	13000	14500	16000
				R-449A	5970	6660	7440	8290	9250	10500	11700	13000	14500	16000
1 3/4	XFAM-017Z	ZS11KAE	CFV, TFC	R-134a	4940	5600	6310	7090	7930	9010	10000	11100	12300	13600
				R-22				11200	12400	13700	15100	16500	18100	19800
				R-404A	8110	9030	10000	11100	12300	14000	15300	16700	18200	19800
				R-407A	7690	8560	9490	10500	11600	13100	14400	15900	17500	19300
				R-407C	6630	7700	8810	9950	11100	12600	13900	15300	16700	18200
				R-448A	7140	7970	8890	9910	11000	12500	13900	15500	17200	19100
				R-449A	7140	7970	8880	9900	11000	12500	14000	15500	17200	19100
2	XFAM-020Z	ZS13KAE	CFV, TFC	R-134a	5620	6370	7180	8060	9010	10200	11400	12600	13900	15400
				R-22	8940	10200	11500	12800	14200	15600	17200	18800	20600	22500
				R-404A	9950	11000	12100	13300	14400	16300	17700	19100	20500	22100
				R-407A	8730	9710	10800	11900	13200	14800	16300	18000	19800	21800
				R-407C	7530	8740	10000	11300	12600	14200	15700	17300	18900	20600
				R-448A	8130	9020	10000	11100	12300	14000	15600	17400	19300	21500
				R-449A	8130	9010	10000	11100	12300	14000	15600	17400	19300	21500
2 1/4	XFAM-022Z	ZS15KAE	CFV, TFC	R-134a	6750	7640	8600	9650	10800	12200	13600	15000	16600	18300
				R-22				14900	16500	18200	19900	21800	23800	26000
				R-404A	11000	12200	13500	15000	16600	18700	20400	22200	24100	26100
				R-407A	10400	11600	12900	14200	15700	17600	19400	21300	23500	25800
				R-407C	9010	10500	12000	13500	15100	17000	18700	20600	22500	24500
				R-448A	9760	10900	12100	13400	14900	16900	18800	20800	23100	25500
				R-449A	9760	10900	12100	13400	14900	16900	18800	20800	23100	25500
2 1/2	XFAM-025Z	ZS19KAE	CFV, TFC	R-134a	7590	8580	9660	10800	12100	13700	15200	16800	18600	20400
				R-22	11700	13400	15000	16800	18500	20400	22400	24500	26700	29100
				R-404A	12200	13600	15100	16700	18300	20900	22700	24600	26700	28800
				R-407A	11700	13000	14400	15900	17500	19700	21600	23800	26100	28600
				R-407C	10100	11700	13400	15100	16900	19000	21000	23000	25100	27300
				R-448A	11000	12200	13500	14900	16400	18500	20500	22700	25200	28000
				R-449A	11000	12200	13500	14800	16400	18500	20500	22700	25200	28000
R-507	12200	13600	15100	16700	18300									

Medium Temp – Air-Cooled

100° Ambient														
HP	Model	Compressor	Electrical	Refrigerant	Capacity (BTU/Hr) @ SST, 40°F RG (65°F RG in Bold), 5°F Subcooling									
					0	5	10	15	20	25	30	35	40	45
3	XFAM-030Z	ZS21KAE	CFV, TFC	R-134a	10100	11400	12800	14400	16000	18200	20100	22200	24500	26900
				R-22				22100	24400	26800	29400	32100	34900	37900
				R-404A	16200	17900	19800	21800	24000	27000	29300	31600	34100	36700
				R-407A	15200	16900	18600	20600	22600	25400	27800	30500	33400	36600
				R-407C	13400	15600	17800	20000	22300	25100	27600	30200	32900	35700
				R-448A	14800	16700	18800	20900	23200	26100	28700	31300	34200	37100
				R-449A	14800	16700	18800	20900	23200	26100	28700	31300	34200	37100
				R-507	16200	17900	19800	21800	24000	27000	29300	31600	34100	36700
3 1/4	XFAM-033Z	ZS26KAE	CFV, TFC	R-134a	11200	12600	14200	15800	17600	20000	22100	24400	26800	29500
				R-22		19400	21800	24300	26800	29500	32200	35100	38100	41400
				R-404A	19200	21200	23200	25200	27200	30700	32900	35100	37400	39700
				R-407A	15900	17900	20100	22500	25000	28300	31200	34400	37700	41100
				R-407C	14800	17100	19500	22000	24500	27600	30300	33100	36000	39000
				R-448A	15600	17400	19300	21400	23700	26700	29400	32300	35300	38500
				R-449A	15600	17400	19300	21400	23700	26700	29400	32200	35200	38400
				R-507	19200	21200	23200	25200	27200					
3 3/4	XFAM-037Z	ZS29KAE	CFV, TFC	R-134a	12400	14000	15800	17600	19600	22200	24500	27000	29700	32500
				R-22		21500	24200	26800	29600	32500	35500	38600	41900	45400
				R-404A	21600	23800	26000	28200	30400	34300	36600	39000	41300	43800
				R-407A	18600	20600	22700	25000	27400	30700	33600	36700	40000	43600
				R-407C	16400	19000	21700	24400	27200	30500	33500	36500	39700	42900
				R-448A	18300	20600	22900	25400	27900	31200	34000	36900	39900	43000
				R-449A	18300	20500	22900	25300	27900	31200	34000	36900	39800	42900
				R-507	21600	23800	26000	28200	30400					
4 1/2	XFAM-045Z	ZS33KAE	CFV, TFC	R-134a	13900	15700	17600	19700	22000	24900	27600	30500	33600	36900
				R-22				30300	33500	36900	40400	44100	48000	52000
				R-404A	22400	24800	27400	30200	33300	37700	41000	44300	47800	51500
				R-407A	21400	23700	26200	28800	31700	35600	39000	42800	46900	51500
				R-407C	18300	21300	24300	27400	30600	34500	37900	41500	45200	49100
				R-448A	20400	23200	26000	29000	32200	36300	39900	43700	47700	52000
				R-449A	20400	23200	26000	29000	32200	36300	40000	43700	47700	52000
				R-507	22400	24800	27400	30200	33300	37700	41000	44300	47800	51500
5	XFAM-050Z	ZS38K4E	CFV, TFC	R-134a	16000	18100	20300	22700	25300	28600	31700	35000	38400	42100
				R-22				34700	38200	42000	45900	50000	54500	59000
				R-404A	26400	29100	32000	35000	38300	43600	47400	51500	55500	60000
				R-407A	24300	27300	30600	34000	37600	42200	46200	50500	54500	59000
				R-407C	24000	27000	30300	33700	37200	41600	45500	49600	53500	58000
				R-448A	24000	27200	30600	34200	38000	42900	47100	51500	56000	60500
				R-449A	24000	27200	30600	34200	38000	42900	47100	51500	56000	60500
				R-507	26400	29100	32000	35000	38300	43600	47400	51500	55500	60000
6	XFAM-060Z	ZS45K4E	TFC	R-134a	19100	21500	24100	27000	30000	34000	37600	41500	45700	50000
				R-22					45500	50000	55000	59500	65000	70500
				R-404A	31500	34500	37800	41300	45100	51000	55500	60000	65000	70000
				R-407A	29100	32600	36400	40400	44600	50000	54500	59500	64500	69500
				R-407C	28800	32300	36100	40000	44200	49300	54000	58500	63500	68500
				R-448A	28700	32300	36300	40500	44900	50500	55500	60500	66000	71000
				R-449A	28700	32300	36300	40500	44900	50500	55500	60500	66000	71000
				R-507	31500	34500	37800	41300	45100	51000	55500	60000	65000	70000

Medium Temp – Air-Cooled

110° Ambient														
HP	Model	Compressor	Electrical	Refrigerant	Capacity (BTU/Hr) @ SST, 40°F RG (65°F RG in Bold), 5°F Subcooling									
					0	5	10	15	20	25	30	35	40	45
3/4	XFAM-008Z	ZB06KAE	CFV, TFC	R-134a	2270	2590	2950	3360	3800	4400	4950	5550	6200	6900
				R-404A	3770	4260	4800	5380	6000	7010	7750	8530	9350	10200
				R-407A	3570	4000	4490	5050	5680	6520	7280	8110	8990	9930
				R-407C	3200	3700	4230	4790	5390	6140	6840	7580	8380	9240
				R-448A	3630	4110	4640	5220	5840	6660	7380	8150	8970	9820
				R-449A	3630	4110	4640	5220	5840	6660	7380	8150	8970	9820
				R-507	3770	4260	4800	5380	6000	7010	7750	8530	9350	10200
1	XFAM-010Z	ZB07KAE	CFV, TFC	R-134a	2790	3180	3620	4100	4640	5350	6010	6710	7470	8290
				R-404A	4640	5230	5870	6540	7270	8480	9380	10400	11400	12600
				R-407A	4110	4780	5490	6230	7000	7980	8830	9700	10600	11500
				R-407C	3870	4450	5060	5720	6420	7310	8120	8970	9880	10800
				R-448A	4360	4920	5540	6220	6950	7920	8780	9680	10600	11600
				R-449A	4360	4920	5540	6220	6950	7920	8780	9680	10600	11600
				R-507	4640	5230	5870	6540	7270	8480	9380	10400	11400	12600
1 1/4	XFAM-012Z	ZB08KAE	CFV, TFC	R-134a	3290	3750	4250	4810	5430	6250	7000	7800	8670	9610
				R-404A	5470	6100	6760	7480	8260	9610	10600	11800	13100	14600
				R-407A	5110	5840	6610	7390	8210	9260	10100	11100	12000	13000
				R-407C	4710	5330	5990	6700	7460	8450	9360	10300	11400	12500
				R-448A	5150	5790	6500	7280	8120	9240	10200	11300	12400	13500
				R-449A	5150	5790	6500	7280	8120	9240	10200	11300	12400	13500
				R-507	5470	6100	6760	7480	8260	9610	10600	11800	13100	14600
1 1/2	XFAM-015Z	ZS09KAE	CFV, TFC	R-134a	3920	4440	5000	5620	6280	7170	7970	8840	9780	10800
				R-22				8900	9890	10900	12000	13200	14500	15800
				R-404A	6160	6850	7620	8450	9360	10700	11700	12800	13900	15100
				R-407A	6000	6680	7420	8210	9090	10300	11400	12500	13800	15300
				R-407C	5150	6040	6950	7880	8840	10000	11100	12200	13300	14500
				R-448A	5620	6240	6930	7710	8580	9810	10900	12200	13500	15000
				R-449A	5620	6240	6930	7710	8580	9810	10900	12200	13500	15000
R-507	6160	6850	7620	8450	9360	10700	11700	12800	13900	15100				
1 3/4	XFAM-017Z	ZS11KAE	CFV, TFC	R-134a	4660	5280	5950	6670	7460	8510	9450	10500	11600	12800
				R-22				10500	11700	12900	14200	15600	17100	18700
				R-404A	7390	8220	9130	10100	11200	12900	14000	15300	16600	18000
				R-407A	7120	7920	8790	9720	10700	12100	13400	14800	16300	18000
				R-407C	6110	7170	8240	9350	10500	11900	13100	14400	15800	17200
				R-448A	6710	7440	8250	9170	10200	11700	13000	14400	16000	17800
				R-449A	6710	7440	8250	9170	10200	11700	13000	14400	16000	17800
R-507	7390	8220	9130	10100	11200	12900	14000	15300	16600	18000				
2	XFAM-020Z	ZS13KAE	CFV, TFC	R-134a	5300	6000	6760	7580	8470	9660	10700	11900	13100	14500
				R-22			10800	12000	13300	14800	16200	17800	19400	21200
				R-404A	9300	10300	11300	12300	13300	15200	16300	17500	18800	20100
				R-407A	8080	8980	9950	11000	12200	13700	15200	16700	18400	20200
				R-407C	6930	8130	9350	10600	11900	13500	14900	16300	17800	19400
				R-448A	7620	8400	9270	10300	11400	13000	14400	16000	17900	19900
				R-449A	7620	8400	9270	10300	11400	13000	14400	16000	17900	19900
R-507	9300	10300	11300	12300	13300									
2 1/4	XFAM-022Z	ZS15KAE	CFV, TFC	R-134a	6360	7190	8090	9060	10100	11500	12800	14200	15600	17200
				R-22				14000	15500	17100	18800	20600	22500	24500
				R-404A	10000	11100	12300	13600	15000	17300	18800	20400	22000	23800
				R-407A	9660	10700	11900	13100	14500	16300	18000	19800	21800	23900
				R-407C	8290	9720	11200	12700	14200	16000	17700	19400	21200	23000
				R-448A	9120	10100	11100	12400	13700	15600	17300	19200	21200	23500
				R-449A	9120	10100	11100	12400	13700	15600	17300	19200	21200	23500
R-507	10000	11100	12300	13600	15000	17300	18800	20400	22000	23800				
2 1/2	XFAM-025Z	ZS19KAE	CFV, TFC	R-134a	7140	8070	9080	10200	11300	12900	14300	15800	17500	19200
				R-22			14100	15700	17400	19300	21100	23100	25200	27400
				R-404A	11200	12600	14000	15400	16800	19300	20900	22600	24400	26300
				R-407A	10800	12000	13300	14700	16200	18200	20100	22000	24200	26600
				R-407C	9280	10900	12500	14200	15900	17900	19800	21700	23600	25700
				R-448A	10100	11200	12300	13600	15000	17000	18800	20800	23100	25700
				R-449A	10100	11200	12300	13600	14900	17000	18800	20800	23100	25700
R-507	11200	12600	14000	15400	16800									

Medium Temp – Air-Cooled

110° Ambient														
HP	Model	Compressor	Electrical	Refrigerant	Capacity (BTU/Hr) @ SST, 40°F RG (65°F RG in Bold), 5°F Subcooling									
					0	5	10	15	20	25	30	35	40	45
3	XFAM-030Z	ZS21KAE	CFV, TFC	R-134a		10700	12000	13500	15000	17100	18900	20900	23000	25200
				R-22				20700	22900	25300	27700	30200	32800	35700
				R-404A	14700	16200	17900	19700	21700	25100	27100	29200	31400	33600
				R-407A	14100	15600	17200	19000	20800	23500	25800	28300	31000	33900
				R-407C		14400	16600	18700	20900	23700	26000	28400	30900	33500
				R-448A	13200	15100	17000	19100	21200	24000	26500	29000	31600	34400
				R-449A	13200	15100	17000	19000	21200	24000	26500	29000	31600	34400
				R-507	14700	16200	17900	19700	21700	25100	27100	29200	31400	33600
3 1/4	XFAM-033Z	ZS26KAE	CFV, TFC	R-134a		11800	13300	14800	16500	18800	20800	22900	25200	27600
				R-22				22700	25100	27700	30300	33000	35900	38900
				R-404A	18200	20100	21900	23700	25500	28900	30800	32700	34600	36500
				R-407A	14400	16300	18400	20700	23000	26200	29000	31900	35100	38300
				R-407C		15800	18200	20600	23000	26000	28500	31100	33800	36600
				R-448A	13500	15000	16700	18600	20600	23500	25900	28500	31200	34100
				R-449A	13400	15000	16700	18500	20600	23500	25900	28500	31100	34000
				R-507	18200	20100	21900	23700	25500					
3 3/4	XFAM-037Z	ZS29KAE	CFV, TFC	R-134a		13200	14800	16500	18300	20800	23000	25300	27800	30500
				R-22				25100	27700	30600	33400	36300	39400	42700
				R-404A	20600	22700	24700	26700	28600	32500	34400	36400	38300	40200
				R-407A	17200	19000	20900	23000	25200	28300	31000	33900	37000	
				R-407C		17500	20100	22800	25400	28700	31500	34300	37300	40200
				R-448A	16200	18400	20600	22900	25300	28500	31100	33700		
				R-449A	16200	18400	20600	22900	25200	28400	31000	33700		
				R-507	20600	22700	24700	26700	28600					
4 1/2	XFAM-045Z	ZS33KAE	CFV, TFC	R-134a		14700	16500	18500	20600	23400	25900	28600	31500	34700
				R-22				28400	31400	34800	38000	41500	45200	49100
				R-404A	20300	22400	24700	27300	30000	35000	37800	40700	43800	47000
				R-407A	19700	21900	24100	26600	29200	32900	36100	39600	43400	47600
				R-407C		19700	22600	25600	28700	32500	35800	39100	42600	46200
				R-448A	18200	20800	23600	26500	29500	33500	36900	40500	44300	48200
				R-449A	18200	20800	23600	26400	29400	33500	36900	40500	44300	48200
				R-507	20300	22400	24700	27300	30000	35000	37800	40700	43800	47000
5	XFAM-050Z	ZS38K4E	CFV, TFC	R-134a	15100	17000	19000	21300	23700	27000	29800	32900	36200	39700
				R-22						39700	43400	47300	51500	56000
				R-404A	23900	26300	28800	31500	34400	39500	43000	46600	50500	54500
				R-407A	22400	25300	28300	31500	34900	39400	43100	47000	51000	55000
				R-407C	22200	25000	28000	31200	34600	38800	42500	46300	50000	54000
				R-448A	22100	24900	28000	31300	34800	39500	43400	47500	51500	56000
				R-449A	22100	24900	28000	31300	34800	39500	43400	47500	51500	56000
				R-507	23900	26300	28800	31500	34400	39500	43000	46600	50500	54500
6	XFAM-060Z	ZS45K4E	TFC	R-134a	17900	20200	22700	25300	28200	32100	35500	39100	43000	47200
				R-22						47300	51500	56500	61500	66500
				R-404A	28500	31200	34200	37300	40600	46500	50500	54500	59000	63500
				R-407A	26900	30200	33700	37500	41400	46700	51000	55500	60500	65000
				R-407C	26700	30000	33500	37100	41000	46000	50500	55000	59500	64000
				R-448A	26600	29800	33300	37100	41200	46700	51500	56000	61000	66000
				R-449A	26600	29800	33300	37100	41200	46700	51500	56000	61000	66000
				R-507	28500	31200	34200	37300	40600	46500	50500	54500	59000	63500

NOTE: All XFAM data also applies to XFAP models

Extended Medium Temp/Low Temp – Air-Cooled

90° Ambient													
HP	Model	Compressor	Electrical	Refrigerant	Capacity (BTU/Hr) @ SST, 40°F RG (65°F RG in Bold), 5°F Subcooling								
					-40	-35	-30	-25	-20	-15	-10	-5	0
3/4	XFAL-008Z	ZF03KAE	CFV, TFC	R-404A	2070	2310	2590	2910	3280	3700	4180	4730	5340
				R-407A	1800	2010	2260	2530	2850	3210	3620	4090	4620
				R-407C	1720	1910	2130	2380	2670	3010	3390	3830	4330
				R-448A	1860	2100	2370	2660	2980	3350	3770	4250	4790
				R-449A	1860	2110	2370	2660	2990	3360	3780	4250	4800
R-507	2140	2390	2680	3010	3390	3830	4330	4890	5530				
1	XFAL-009Z	ZF04KAE	CFV, TFC	R-404A	2670	3000	3400	3870	4420	5040	5720	6480	7300
				R-407A	2230	2510	2850	3270	3760	4320	4950	5650	6420
				R-407C	2070	2330	2650	3040	3490	4010	4600	5260	5970
				R-448A	2310	2620	2990	3430	3940	4510	5150	5840	6600
				R-449A	2310	2620	3000	3440	3950	4520	5150	5850	6610
	R-507	2760	3100	3520	4010	4570	5210	5920	6700	7540			
	XFAL-010Z	ZF05KAE	CFV, TFC	R-404A	3200	3650	4170	4750	5410	6130	6910	7760	8670
				R-407A	2540	2900	3340	3860	4450	5120	5860	6680	7570
				R-407C	2360	2700	3110	3590	4150	4780	5470	6240	7070
				R-448A	2680	3080	3550	4080	4690	5360	6100	6910	7780
R-449A				2680	3080	3550	4090	4700	5370	6110	6920	7790	
R-507	3310	3780	4310	4920	5590	6330	7140	8020	8960				
1 1/4	XFAL-012Z	ZF07KAE	CFV, TFC	R-404A	4880	5710	6580	7480	8450	9490	10600	11900	13200
				R-407A	4090	4790	5530	6320	7170	8100	9130	10300	11500
				R-407C	3670	4420	5130	5840	6590	7400	8320	9370	10600
				R-448A	4240	4940	5660	6420	7250	8160	9180	10300	11600
				R-449A	4240	4940	5670	6430	7260	8170	9190	10300	11600
R-507	5040	5910	6800	7730	8730	9810	11000	12300	13700				
2	XFAL-020Z	ZXI06KC	CFV, TFC	R-404A	5700	6960	8210	9450	10690	11920	13140	14360	15570
				R-407A	3742	4360	5147	6075	7120	8254	9452	10688	11936
				R-407C	5046	5060	5768	6433	7407	8405	9407	10392	11342
				R-448A	5442	6217	7089	8057	9123	10285	11544	12901	14354
				R-449A	5442	6217	7089	8057	9123	10285	11544	12901	14354
R-507	9700	11100	12600	14200	15900	17700	19700	21700	23900				
3	XFAL-030Z	ZXI09KC	TFC	R-404A	7840	9390	10950	12500	14060	15620	17170	18730	20280
				R-407A	5735	6537	7698	8998	10422	11953	13575	15269	17022
				R-407C	4831	5800	6881	8071	9367	10766	12265	13860	15550
				R-448A	6316	7537	8805	10119	11480	12887	14340	15840	17387
				R-449A	6316	7537	8805	10119	11480	12887	14340	15840	17387
R-507	7840	9390	10950	12500	14060	15620	17170	18730	20280				
3 1/2	XFAL-035Z	ZXI11KC	CFV, TFC	R-404A	9700	11100	12600	14200	15900	17700	19700	21700	23900
				R-407A	7173	8417	9816	11356	13024	14805	16685	18652	20691
				R-407C	6662	7697	8886	10223	11704	13323	15076	16956	18960
				R-448A	7146	8630	10200	11860	13609	15452	17388	19421	21553
				R-449A	7146	8630	10200	11860	13609	15452	17388	19421	21553
R-507	9700	11100	12600	14200	15900	17700	19700	21700	23900				
4	XFAL-040Z	ZXI14KC	CFV, TFC	R-404A	12690	14430	16280	18240	20300	22470	24740	27120	29610
				R-407A	10387	11920	13591	15402	17351	19438	21663	24026	26525
				R-407C	9664	10970	12469	14151	16007	18029	20207	22533	24998
				R-448A	11312	12932	14721	16676	18791	21064	23490	26065	28786
				R-449A	11312	12932	14721	16676	18791	21064	23490	26065	28786
R-507	12690	14430	16280	18240	20300	22470	24740	27120	29610				
5	XFAL-050Z	ZXI15KC	TFC	R-404A	14030	16040	18140	20350	22660	25060	27570	30170	32880
				R-407A	10486	12164	13981	15940	18044	20296	22697	25251	27960
				R-407C	9602	11023	12688	14570	16639	18870	21233	23701	26247
				R-448A	12334	14164	16198	18434	20869	23504	26336	29365	32588
				R-449A	12334	14164	16198	18434	20869	23504	26336	29365	32588
	R-507	14030	16040	18140	20350	22660	25060	27570	30170	32880			
	XFAL-051Z	ZXI16KC	CFV	R-404A	14030	16040	18140	20350	22660	25060	27570	30170	32880
				R-407A	10791	12485	14352	16392	18604	20988	23545	26274	29176
				R-407C	7687	10396	13104	15813	18521	21230	23938	26646	29355
				R-448A	13019	14673	16461	18368	20380	22483	24664	26908	29201
R-449A				13019	14673	16461	18368	20380	22483	24664	26908	29201	
R-507	14030	16040	18140	20350	22660	25060	27570	30170	32880				
6	XFAL-060Z	ZXI18KC	TFC	R-404A	18000	20500	23000	25700	28600	31600	34700	38100	41500
				R-407A	13901	16077	18450	21019	23784	26744	29901	33254	36803
				R-407C	11841	13666	15706	17962	20434	23120	26023	29141	32474
				R-448A	13050	15021	17217	19638	22284	25155	28252	31573	35120
				R-449A	13050	15021	17217	19638	22284	25155	28252	31573	35120
R-507	18000	20500	23000	25700	28600	31600	34700	38100	41500				

Extended Medium Temp/Low Temp – Air-Cooled

95° Ambient													
HP	Model	Compressor	Electrical	Refrigerant	Capacity (BTU/Hr) @ SST, 40°F RG (65°F RG in Bold), 5°F Subcooling								
					-40	-35	-30	-25	-20	-15	-10	-5	0
3/4	XFAL-008Z	ZF03KAE	CFV, TFC	R-404A	2110	2360	2640	2960	3330	3750	4230	4770	5390
				R-407A	1780	2000	2240	2510	2830	3180	3590	4040	4550
				R-407C	1700	1890	2110	2360	2650	2980	3360	3790	4270
				R-448A	1840	2090	2350	2640	2960	3330	3740	4200	4730
				R-449A	1840	2090	2360	2650	2970	3330	3740	4210	4740
R-507	2150	2390	2680	3010	3380	3810	4290	4850	5470				
1	XFAL-009Z	ZF04KAE	CFV, TFC	R-404A	2720	3050	3450	3930	4470	5080	5770	6520	7340
				R-407A	2230	2490	2830	3240	3720	4270	4890	5570	6330
				R-407C	2070	2320	2630	3010	3450	3960	4540	5170	5880
				R-448A	2310	2610	2980	3410	3900	4460	5080	5760	6510
				R-449A	2310	2610	2980	3410	3910	4470	5090	5770	6520
	R-507	2760	3090	3500	3980	4540	5160	5860	6630	7480			
	XFAL-010Z	ZF05KAE	CFV, TFC	R-404A	3250	3700	4220	4810	5460	6180	6960	7800	8710
				R-407A	2530	2890	3320	3820	4400	5060	5780	6590	7460
				R-407C	2350	2680	3090	3560	4100	4710	5390	6140	6960
				R-448A	2670	3060	3520	4050	4640	5300	6020	6810	7660
R-449A				2670	3070	3530	4050	4650	5310	6040	6830	7680	
R-507	3300	3760	4290	4880	5550	6290	7090	7960	8890				
1 1/4	XFAL-012Z	ZF07KAE	CFV, TFC	R-404A	4930	5770	6640	7540	8510	9540	10700	11900	13300
				R-407A	4060	4760	5490	6260	7100	8020	9020	10100	11400
				R-407C	3640	4380	5080	5780	6510	7310	8210	9230	10400
				R-448A	4210	4900	5620	6370	7180	8070	9070	10200	11400
				R-449A	4220	4910	5630	6380	7200	8090	9090	10200	11500
R-507	5010	5880	6760	7690	8690	9760	10900	12200	13600				
2	XFAL-020Z	ZXI06KC	CFV, TFC	R-404A	5670	6900	8115	9325	10530	11725	12910	14095	15270
				R-407A	3630	4224	4989	5898	6927	8047	9234	10461	11703
				R-407C	4942	5003	5661	6350	7233	8160	9111	10064	11001
				R-448A	5245	6029	6903	7866	8919	10061	11292	12614	14024
				R-449A	5245	6029	6903	7866	8919	10061	11292	12614	14024
R-507	9395	10700	12150	13650	15300	17000	18900	20850	22900				
3	XFAL-030Z	ZXI09KC	TFC	R-404A	7390	8955	10525	12090	13660	15230	16795	18365	19930
				R-407A	5667	6544	7680	8955	10354	11859	13455	15124	16851
				R-407C	4631	5583	6647	7818	9094	10472	11949	13521	15186
				R-448A	6131	7267	8469	9736	11069	12468	13931	15460	17056
				R-449A	6131	7267	8469	9736	11069	12468	13931	15460	17056
R-507	7390	8955	10525	12090	13660	15230	16795	18365	19930				
3 1/2	XFAL-035Z	ZXI11KC	CFV, TFC	R-404A	9395	10700	12150	13650	15300	17000	18900	20850	22900
				R-407A	6948	8143	9495	10991	12617	14358	16201	18133	20139
				R-407C	6361	7359	8511	9812	11256	12839	14555	16399	18367
				R-448A	7135	8541	10052	11672	13400	15241	17195	19266	21456
				R-449A	7135	8541	10052	11672	13400	15241	17195	19266	21456
R-507	9395	10700	12150	13650	15300	17000	18900	20850	22900				
4	XFAL-040Z	ZXI14KC	CFV, TFC	R-404A	12530	14205	15995	17890	19890	22000	24210	26530	28955
				R-407A	10188	11664	13275	15023	16906	18924	21078	23366	25788
				R-407C	9513	10791	12253	13890	15692	17652	19760	22007	24384
				R-448A	10985	12576	14329	16240	18303	20515	22872	25368	28001
				R-449A	10985	12576	14329	16240	18303	20515	22872	25368	28001
R-507	12530	14205	15995	17890	19890	22000	24210	26530	28955				
5	XFAL-050Z	ZXI15KC	TFC	R-404A	13570	15500	17520	19645	21870	24190	26615	29135	31760
				R-407A	10181	11835	13623	15547	17611	19816	22165	24661	27307
				R-407C	9517	10835	12397	14175	16142	18270	20530	22896	25340
				R-448A	12049	13845	15833	18012	20378	22930	25664	28578	31670
				R-449A	12049	13845	15833	18012	20378	22930	25664	28578	31670
	R-507	13570	15500	17520	19645	21870	24190	26615	29135	31760			
	XFAL-051Z	ZXI16KC	CFV	R-404A	13570	15500	17520	19645	21870	24190	26615	29135	31760
				R-407A	10588	12209	14008	15985	18140	20472	22982	25670	28536
				R-407C	8511	10832	13220	15674	18196	20785	23440	26162	28952
				R-448A	12492	14162	15976	17922	19988	22164	24438	26800	29237
R-449A				12492	14162	15976	17922	19988	22164	24438	26800	29237	
R-507	13570	15500	17520	19645	21870	24190	26615	29135	31760				
6	XFAL-060Z	ZXI18KC	TFC	R-404A	17620	19990	22465	25040	27815	30690	33720	36950	39850
				R-407A	13601	15674	17963	20468	23187	26121	29270	32635	36215
				R-407C	11493	13301	15311	17524	19939	22556	25377	28400	31625
				R-448A	12680	14629	16798	19187	21797	24627	27677	30948	34439
				R-449A	12680	14629	16798	19187	21797	24627	27677	30948	34439
R-507	17620	19990	22465	25040	27815	30690	33720	36950	39850				

Extended Medium Temp/Low Temp – Air-Cooled

100° Ambient													
HP	Model	Compressor	Electrical	Refrigerant	Capacity (BTU/Hr) @ SST, 40°F RG (65°F RG in Bold), 5°F Subcooling								
					-40	-35	-30	-25	-20	-15	-10	-5	0
3/4	XFAL-008Z	ZF03KAE	CFV, TFC	R-404A	1930	2150	2400	2690	3020	3400	3830	4330	4880
				R-407A	1680	1890	2120	2380	2670	3000	3380	3800	4280
				R-407C	1630	1810	2020	2250	2520	2830	3190	3590	4050
				R-448A	1740	1980	2230	2500	2800	3140	3530	3960	4460
				R-449A	1740	1980	2230	2500	2810	3150	3530	3970	4460
R-507	1980	2210	2460	2760	3100	3490	3930	4440	5010				
1	XFAL-009Z	ZF04KAE	CFV, TFC	R-404A	2470	2760	3120	3550	4040	4610	5240	5930	6690
				R-407A	2110	2360	2670	3050	3510	4020	4610	5260	5980
				R-407C	1980	2210	2500	2850	3270	3760	4300	4910	5580
				R-448A	2190	2470	2810	3210	3680	4210	4800	5450	6150
				R-449A	2190	2470	2810	3220	3680	4210	4800	5450	6160
	R-507	2530	2830	3200	3640	4150	4730	5370	6090	6870			
	XFAL-010Z	ZF05KAE	CFV, TFC	R-404A	2950	3360	3830	4360	4960	5620	6340	7120	7960
				R-407A	2390	2720	3120	3600	4140	4770	5460	6220	7050
				R-407C	2240	2550	2920	3370	3890	4470	5120	5840	6620
				R-448A	2520	2880	3320	3820	4380	5000	5690	6440	7250
R-449A				2520	2890	3320	3820	4380	5010	5700	6450	7260	
R-507	3020	3440	3930	4480	5100	5770	6520	7320	8180				
1 1/4	XFAL-012Z	ZF07KAE	CFV, TFC	R-404A	4460	5240	6040	6880	7760	8710	9740	10900	12100
				R-407A	3830	4500	5200	5930	6720	7580	8530	9570	10700
				R-407C	3450	4170	4850	5510	6200	6950	7790	8760	9890
				R-448A	3990	4650	5320	6030	6790	7630	8560	9610	10800
				R-449A	3990	4650	5330	6040	6800	7640	8570	9620	10800
R-507	4570	5390	6210	7070	7970	8950	10000	11200	12500				
2	XFAL-020Z	ZXI06KC	CFV, TFC	R-404A	5640	6840	8020	9200	10370	11530	12680	13830	14970
				R-407A	3517	4087	4831	5721	6733	7840	9016	10234	11470
				R-407C	4838	4945	5554	6266	7059	7915	8814	9736	10660
				R-448A	5047	5841	6716	7674	8714	9836	11040	12326	13694
				R-449A	5047	5841	6716	7674	8714	9836	11040	12326	13694
R-507	9090	10300	11700	13100	14700	16300	18100	20000	21900				
3	XFAL-030Z	ZXI09KC	TFC	R-404A	6940	8520	10100	11680	13260	14840	16420	18000	19580
				R-407A	5598	6551	7661	8911	10285	11765	13335	14979	16679
				R-407C	4430	5366	6412	7565	8821	10178	11633	13182	14822
				R-448A	5946	6997	8133	9353	10658	12048	13522	15080	16724
				R-449A	5946	6997	8133	9353	10658	12048	13522	15080	16724
R-507	6940	8520	10100	11680	13260	14840	16420	18000	19580				
3 1/2	XFAL-035Z	ZXI11KC	CFV, TFC	R-404A	9090	10300	11700	13100	14700	16300	18100	20000	21900
				R-407A	6722	7868	9174	10625	12209	13910	15716	17613	19587
				R-407C	6059	7021	8136	9400	10808	12354	14034	15842	17773
				R-448A	7123	8452	9904	11483	13191	15029	17002	19111	21358
				R-449A	7123	8452	9904	11483	13191	15029	17002	19111	21358
R-507	9090	10300	11700	13100	14700	16300	18100	20000	21900				
4	XFAL-040Z	ZXI14KC	CFV, TFC	R-404A	12370	13980	15710	17540	19480	21530	23680	25940	28300
				R-407A	9989	11407	12958	14643	16461	18410	20492	22706	25051
				R-407C	9362	10611	12036	13628	15377	17275	19312	21480	23770
				R-448A	10658	12220	13936	15803	17814	19966	22253	24671	27215
				R-449A	10658	12220	13936	15803	17814	19966	22253	24671	27215
R-507	12370	13980	15710	17540	19480	21530	23680	25940	28300				
5	XFAL-050Z	ZXI15KC	TFC	R-404A	13110	14960	16900	18940	21080	23320	25660	28100	30640
				R-407A	9876	11506	13265	15154	17177	19335	21633	24071	26654
				R-407C	9432	10646	12105	13780	15644	17669	19827	22091	24432
				R-448A	11763	13525	15468	17590	19887	22355	24991	27791	30751
				R-449A	11763	13525	15468	17590	19887	22355	24991	27791	30751
	R-507	13110	14960	16900	18940	21080	23320	25660	28100	30640			
	XFAL-051Z	ZXI16KC	CFV	R-404A	13110	14960	16900	18940	21080	23320	25660	28100	30640
				R-407A	10385	11933	13664	15578	17675	19955	22419	25065	27895
				R-407C	9335	11268	13335	15535	17870	20339	22941	25678	28549
				R-448A	11965	13651	15491	17475	19595	21844	24212	26691	29272
R-449A				11965	13651	15491	17475	19595	21844	24212	26691	29272	
R-507	13110	14960	16900	18940	21080	23320	25660	28100	30640				
6	XFAL-060Z	ZXI18KC	TFC	R-404A	17240	19480	21930	24380	27030	29780	32740	35800	38200
				R-407A	13301	15271	17476	19916	22589	25497	28639	32015	35626
				R-407C	11145	12936	14916	17085	19444	21992	24730	27658	30775
				R-448A	12310	14236	16378	18736	21309	24098	27102	30322	33758
				R-449A	12310	14236	16378	18736	21309	24098	27102	30322	33758
R-507	17240	19480	21930	24380	27030	29780	32740	35800	38200				

Extended Medium Temp/Low Temp – Air-Cooled

110° Ambient													
HP	Model	Compressor	Electrical	Refrigerant	Capacity (BTU/Hr) @ SST, 40°F RG (65°F RG in Bold), 5°F Subcooling								
					-40	-35	-30	-25	-20	-15	-10	-5	0
3/4	XFAL-008Z	ZF03KAE	CFV, TFC	R-404A	1790	1990	2210	2460	2750	3090	3470	3910	4410
				R-407A	1570	1780	2000	2240	2510	2810	3150	3540	3970
				R-407C	1540	1710	1910	2120	2370	2660	2980	3350	3770
				R-448A	1620	1850	2100	2360	2640	2950	3300	3700	4150
				R-449A	1620	1860	2100	2360	2640	2950	3300	3700	4150
R-507	1830	2030	2260	2510	2810	3160	3550	4000	4510				
1	XFAL-009Z	ZF04KAE	CFV, TFC	R-404A	2260	2510	2830	3210	3650	4160	4730	5370	6070
				R-407A	1990	2200	2480	2830	3240	3720	4260	4860	5520
				R-407C	1890	2090	2350	2670	3050	3500	4010	4570	5190
				R-448A	2070	2320	2630	3000	3430	3920	4460	5060	5720
				R-449A	2070	2320	2630	3000	3430	3920	4460	5060	5720
	R-507	2310	2560	2880	3270	3730	4250	4840	5490	6210			
	XFAL-010Z	ZF05KAE	CFV, TFC	R-404A	2670	3040	3470	3950	4500	5100	5760	6470	7240
				R-407A	2250	2540	2900	3330	3830	4400	5040	5750	6520
				R-407C	2120	2400	2740	3150	3630	4170	4770	5440	6170
				R-448A	2360	2700	3090	3550	4070	4650	5290	5990	6740
R-449A				2360	2700	3100	3560	4080	4660	5290	5990	6740	
R-507	2730	3100	3540	4040	4600	5220	5890	6630	7420				
1 1/4	XFAL-012Z	ZF07KAE	CFV, TFC	R-404A	4020	4750	5490	6240	7040	7880	8800	9820	10900
				R-407A	3520	4160	4810	5500	6230	7010	7880	8830	9880
				R-407C	3210	3910	4560	5180	5820	6500	7270	8160	9190
				R-448A	3740	4370	5000	5650	6350	7110	7960	8920	10000
				R-449A	3750	4370	5000	5650	6350	7120	7970	8930	10000
R-507	4110	4860	5620	6400	7210	8090	9040	10100	11200				
2	XFAL-020Z	ZXI06KC	CFV, TFC	R-404A	5500	6610	7710	8810	9890	10970	12040	13100	14160
				R-407A	3117	3650	4361	5225	6215	7305	8469	9681	10916
				R-407C	4468	4740	5174	5749	6444	7242	8120	9060	10042
				R-448A	4572	5433	6361	7355	8415	9541	10732	11990	13315
				R-449A	4572	5433	6361	7355	8415	9541	10732	11990	13315
R-507	5500	6610	7710	8810	9890	10970	12040	13100	14160				
3	XFAL-030Z	ZXI09KC	TFC	R-404A	5830	7420	9010	10590	12180	13770	15350	16940	18530
				R-407A	5354	6239	7281	8462	9767	11178	12679	14253	15884
				R-407C	4014	4911	5915	7023	8232	9539	10942	12437	14021
				R-448A	4811	5749	6767	7866	9045	10305	11646	13068	14570
				R-449A	4811	5749	6767	7866	9045	10305	11646	13068	14570
R-507	5830	7420	9010	10590	12180	13770	15350	16940	18530				
3 1/2	XFAL-035Z	ZXI11KC	CFV, TFC	R-404A	9020	10140	11340	12720	14200	15690	17380	19190	21090
				R-407A	6235	7272	8473	9825	11313	12925	14646	16462	18361
				R-407C	5503	6380	7411	8590	9914	11376	12972	14696	16543
				R-448A	6085	7307	8643	10096	11666	13355	15166	17098	19155
				R-449A	6085	7307	8643	10096	11666	13355	15166	17098	19155
R-507	9020	10140	11340	12720	14200	15690	17380	19190	21090				
4	XFAL-040Z	ZXI14KC	CFV, TFC	R-404A	11850	13350	14950	16660	18480	20400	22420	24560	26800
				R-407A	9594	10949	12432	14043	15781	17646	19637	21754	23997
				R-407C	8468	9717	11126	12684	14382	16213	18166	20233	22404
				R-448A	9955	11463	13113	14900	16817	18859	21021	23297	25682
				R-449A	9955	11463	13113	14900	16817	18859	21021	23297	25682
R-507	11850	13350	14950	16660	18480	20400	22420	24560	26800				
5	XFAL-050Z	ZXI15KC	TFC	R-404A	11920	13590	15370	17250	19220	21300	23470	25740	28110
				R-407A	9070	10642	12331	14139	16069	18124	20306	22619	25063
				R-407C	8709	9792	11120	12665	14399	16295	18324	20459	22672
				R-448A	11121	12820	14682	16702	18873	21190	23648	26240	28963
				R-449A	11121	12820	14682	16702	18873	21190	23648	26240	28963
	R-507	11920	13590	15370	17250	19220	21300	23470	25740	28110			
	XFAL-051Z	ZXI16KC	CFV	R-404A	11920	13590	15370	17250	19220	21300	23470	25740	28110
				R-407A	9586	11075	12737	14570	16575	18753	21102	23623	26316
				R-407C	9623	11857	13869	15659	17228	18574	19698	20600	21279
				R-448A	10895	12604	14488	16542	18762	21147	23691	26393	29248
R-449A				10895	12604	14488	16542	18762	21147	23691	26393	29248	
R-507	11920	13590	15370	17250	19220	21300	23470	25740	28110				
6	XFAL-060Z	ZXI18KC	TFC	R-404A	16170	18330	20500	22760	25130	27600		32960	34700
				R-407A	12626	14471	16538	18825	21334	24063	27013	30184	33576
				R-407C	10391	12079	13921	15919	18072	20380	22843	25461	28235
				R-448A	11512	13395	15487	17786	20292	23007	25929	29059	32397
				R-449A	11512	13395	15487	17786	20292	23007	25929	29059	32397
R-507	16170	18330	20500	22760	25130	27600		32960	34700				

Medium Temp – Digital Air-Cooled

90° Ambient															
HP	Model	Compressor	Electrical	Refrigerant	Capacity (BTU/Hr) @ SST, 40°F RG (65°F RG in Bold), 5°F Subcooling										
					0	5	10	15	20	25	25	30	35	40	45
3	XFAM-030D	ZBD21KCE	CFV	R-404A	17100	18900	20800	22800	25000	27200	28200	30700	33200	35900	38700
				R-407A	14400	16100	18000	20000	22100	24400	24800	27300	30000	32800	35800
				R-448A	15000	16700	18600	20600	22700	25000	25500	28000	30700	33600	36700
				R-449A	15000	16700	18600	20600	22700	25000	25500	28000	30700	33600	36700
				R-507	17100	18900	20800	22800	25000	27200					
			TFC	R-404A	16700	18500	20400	22500	24700	27000	28000	30500	33000	35600	38300
				R-407A	14700	16400	18300	20400	22600	24900	25300	27900	30600	33600	36700
				R-448A	15500	17400	19300	21200	23300	25500	26000	28400	31000	33800	36900
				R-449A	15500	17400	19300	21200	23300	25500	26000	28400	31000	33800	36900
				R-507	17100	19000	21000	23100	25400	27700					
4	XFAM-040D	ZBD30KCE	TFC	R-404A	23300	25700	28300	31100	34000	37000	38400	41700	45200	48700	52500
				R-407A	20700	23400	26300	29400	32700	36200	36800	40500	44500	48600	53000
				R-407C	19000	21600	24200	27100	30200	33400	33800	37300	41000	45000	49100
				R-448A	20000	22600	25400	28300	31400	34700	35300	38800	42600	46600	51000
				R-449A	20000	22600	25400	28300	31400	34700	35300	38800	42600	46600	51000
				R-507	23900	26500	29200	32000	35100	38200					
				R-507	23900	26500	29200	32000	35100	38200					
5	XFAM-050D	ZBD38KCE	CFV	R-404A	27700	30900	34300	37900	41600	45500	47100	51500	55500	60000	64500
				R-407A	25800	29200	32800	36800	40900	45300	46000	50500	55500	61000	66000
				R-448A	25100	28400	31900	35500	39300	43400	44100	48500	53000	58000	63500
				R-449A	25100	28400	31800	35500	39300	43400	44100	48500	53000	58000	63500
				R-507	28500	31800	35300	38900	42800	46800					
			TFC	R-404A	28600	31600	34800	38200	41800	45500	47200	51500	55500	60000	64500
				R-407A	25800	29200	32800	36800	40900	45300	46000	50500	55500	61000	66000
				R-448A	25100	28400	31900	35500	39300	43400	44100	48500	53000	58000	63500
				R-449A	25100	28400	31800	35500	39300	43400	44100	48500	53000	58000	63500
				R-507	29400	32500	35800	39300	43000	46800					
6	XFAM-060D	ZBD45KCE	TFC	R-404A	33700	37100	40600	44400	48300	52500	54500	59000	63500	68000	72500
				R-407A	28700	32400	36500	40800	45300	50000	51000	56000	61500	67000	72500
				R-407C	27700	31200	35100	39300	43800	48500	49100	54000	59500	65500	71000
				R-448A	29400	33200	37100	41300	45700	50500	51000	56000	61500	67000	73000
				R-449A	29400	33200	37100	41300	45700	50500	51000	56000	61500	67000	73000
				R-507	34600	38100	41800	45600	49600	54000					

Medium Temp – Digital Air-Cooled

95° Ambient														
HP	Model	Compressor	Electrical	Refrigerant	Capacity (BTU/Hr) @ SST, 40°F RG (65°F RG in Bold), 5°F Subcooling									
					0	5	10	15	20	25	30	35	40	45
3	XFAM-030D	ZBD21KCE	CFV	R-404A	17100	18900	20800	22700	24800	27000	29300	31800	34300	36900
				R-407A	14200	15900	17700	19700	21800	24000	26400	29000	31700	34600
				R-448A	14700	16500	18300	20200	22300	24600	27000	29600	32400	35500
				R-449A	14800	16500	18300	20300	22300	24600	27000	29600	32400	35500
				R-507	17100	18900	20900	22900	25100	27300	29700	32200	34800	37500
			TFC	R-404A	16700	18500	20500	22500	24700	27000	29300	31700	34100	36500
				R-407A	14500	16200	18000	20000	22200	24500	26900	29600	32400	35500
				R-448A	15300	17100	18900	20900	22900	25100	27400	30000	32700	35700
				R-449A	15300	17100	19000	20900	22900	25100	27400	30000	32700	35700
				R-507	17100	19100	21100	23300	25600	27900	30400	32900	35400	38000
4	XFAM-040D	ZBD30KCE	TFC	R-404A	23200	25600	28200	31000	33900	36900	40100	43400	46800	50500
				R-407A	20200	22800	25700	28700	32000	35400	39100	42900	46900	51000
				R-407C	18600	21100	23700	26600	29600	32700	36100	39700	43600	47600
				R-448A	19500	22100	24900	27800	30800	34000	37500	41100	45000	49200
				R-449A	19500	22200	24900	27800	30800	34000	37500	41100	45000	49200
				R-507	23900	26400	29100	32000	35000	38200	41500	44900	48400	52000
				R-507	23900	26400	29100	32000	35000	38200	41500	44900	48400	52000
5	XFAM-050D	ZBD38KCE	CFV	R-404A	27400	30600	33900	37500	41200	45100	49100	53000	57500	62000
				R-407A	25100	28100	31300	34700	38400	42300	46600	51000	56000	61000
				R-448A	25500	28500	31600	35100	38700	42700	46900	51500	56000	61500
				R-449A	25500	28500	31700	35100	38800	42700	46900	51500	56000	61500
				R-507	28200	31500	35100	38800	42700	46800	51000	55500	60000	64500
			TFC	R-404A	28600	31600	34800	38100	41600	45300	49200	53500	57500	62000
				R-407A	25200	28500	32100	35900	40000	44400	48900	53500	58500	63500
				R-448A	24500	27800	31200	34700	38500	42500	46800	51500	56000	61000
				R-449A	24500	27800	31200	34800	38500	42600	46800	51500	56000	61000
				R-507	29500	32600	35900	39400	43100	47000	51000	55500	60000	64500
6	XFAM-060D	ZBD45KCE	TFC	R-404A	33600	37000	40500	44200	48100	52000	56000	60500	65000	69500
				R-407A	28100	31700	35700	39900	44400	49100	54000	59000	64500	70000
				R-407C	27100	30500	34200	38300	42700	47400	52500	57500	63000	68500
				R-448A	28700	32400	36400	40500	44800	49400	54000	59500	64500	70500
				R-449A	28700	32400	36400	40500	44800	49400	54000	59500	64500	70500
				R-507	34600	38100	41800	45600	49600	54000	58000	62500	67000	71500

Medium Temp – Digital Air-Cooled

100° Ambient															
HP	Model	Compressor	Electrical	Refrigerant	Capacity (BTU/Hr) @ SST, 40°F RG (65°F RG in Bold), 5°F Subcooling										
					0	5	10	15	20	25	25	30	35	40	45
3	XFAM-030D	ZBD21KCE	CFV	R-404A	15700	17400	19100	20900	22900	24900	26000	28200	30500	32900	35400
				R-407A	13500	15100	16800	18600	20600	22700	23200	25500	28000	30600	33400
				R-448A	13900	15600	17300	19100	21100	23200	23700	26000	28500	31300	34200
				R-449A	13900	15600	17300	19100	21100	23200	23700	26000	28500	31300	34200
				R-507	15700	17400	19100	21000	22900	24900					
			TFC	R-404A	15300	17100	18900	20800	22800	24900	26000	28200	30400	32700	35000
				R-407A	13700	15300	17100	18900	20900	23100	23600	26000	28500	31300	34200
				R-448A	14400	16100	17900	19700	21600	23700	24200	26400	28900	31500	34400
				R-449A	14400	16100	17900	19700	21600	23700	24200	26500	28900	31500	34400
				R-507	15800	17500	19400	21400	23400	25500					
4	XFAM-040D	ZBD30KCE	TFC	R-404A	21300	23500	25900	28400	31000	33800	35400	38400	41500	44800	48100
				R-407A	18900	21400	24100	27000	30100	33400	34100	37600	41300	45200	49200
				R-407C	17500	19900	22500	25200	28100	31100	31700	34900	38400	42100	46000
				R-448A	18200	20700	23300	26100	29000	32100	32800	36100	39600	43400	47400
				R-449A	18200	20700	23300	26100	29000	32000	32800	36100	39700	43400	47400
				R-507	21900	24200	26600	29200	31900	34800					
5	XFAM-050D	ZBD38KCE	CFV	R-404A	24900	27800	30900	34200	37700	41300	43100	47000	51000	55000	59500
				R-407A	23700	26800	30200	33800	37700	41800	42700	47000	51500	56500	61500
				R-448A	22900	26000	29300	32700	36300	40100	41000	45100	49500	54000	59000
				R-449A	22900	26000	29300	32700	36300	40100	41000	45100	49500	54000	59000
				R-507	25600	28600	31900	35200	38800	42500					
			TFC	R-404A	26300	29100	32000	35100	38300	41700	43600	47300	51000	55000	59500
				R-407A	23700	26800	30200	33800	37700	41800	42700	47000	51500	56500	61500
				R-448A	22900	26000	29300	32700	36300	40100	41000	45100	49500	54000	59000
				R-449A	22900	26000	29300	32700	36300	40100	41000	45100	49500	54000	59000
				R-507	27100	29900	32900	36100	39500	43000					
6	XFAM-060D	ZBD45KCE	TFC	R-404A	30800	33900	37200	40600	44100	47800	50000	54000	58000	62000	66500
				R-407A	26300	29700	33500	37500	41700	46200	47200	52000	57000	62000	67500
				R-407C	25700	28900	32400	36200	40400	44900	45600	50500	55500	61000	66500
				R-448A	26700	30400	34100	38100	42200	46500	47500	52000	57000	62500	67500
				R-449A	26700	30300	34100	38000	42100	46400	47500	52000	57000	62000	67500
				R-507	31700	34900	38300	41800	45500	49200					

Medium Temp – Digital Air-Cooled

110° Ambient															
HP	Model	Compressor	Electrical	Refrigerant	Capacity (BTU/Hr) @ SST, 40°F RG (65°F RG in Bold), 5°F Subcooling										
					0	5	10	15	20	25	25	30	35	40	45
3	XFAM-030D	ZBD21KCE	CFV	R-404A	14300	15800	17300	18900	20600	22400	23600	25500	27600	29600	31800
				R-407A	12500	14000	15600	17300	19100	21000	21500	23700	25900	28300	30900
				R-448A	12900	14400	15900	17600	19400	21300	21900	24000	26400	28900	31600
				R-449A	12900	14400	15900	17600	19400	21300	21900	24000	26400	28900	31600
				R-507	14300	15800	17300	18900	20700	22400					
			TFC	R-404A	13900	15500	17100	18800	20600	22300	23600	25400	27300	29100	30900
				R-407A	12700	14100	15700	17400	19200	21200	21800	24000	26300	28900	31600
				R-448A	13000	14600	16300	18000	19800	21700	22300	24300	26600	29000	31700
				R-449A	13000	14600	16300	18000	19800	21700	22300	24300	26600	29000	31700
				R-507	14200	15900	17600	19400	21200	23000					
4	XFAM-040D	ZBD30KCE	TFC	R-404A	19400	21300	23300	25600	27900	30400	32100	34800	37600	40600	43700
				R-407A	17300	19600	22000	24700	27500	30500	31300	34500	38000	41600	45300
				R-407C		18200	20600	23200	25900	28800	29400	32500	35700	39200	42900
				R-448A	16500	18900	21400	23900	26700	29500	30300	33500	36800	40300	44000
				R-449A	16400	18900	21300	23900	26600	29500	30300	33500	36800	40300	44000
				R-507	19900	21900	24000	26300	28700	31200					
5	XFAM-050D	ZBD38KCE	CFV	R-404A	22100	24700	27500	30500	33600	36800	38800	42400	46100	49900	53500
				R-407A	21600	24400	27500	30800	34400	38200	39100	43200	47400	52000	56500
				R-448A	20700	23700	26800	30000	33400	36900	37900	41800	45800	50000	54500
				R-449A	20700	23700	26800	30000	33400	36900	37900	41800	45800	50000	54500
				R-507	22700	25400	28300	31300	34500	37900					
			TFC	R-404A	23900	26400	29000	31700	34500	37500	39600	42900	46300	49900	53500
				R-407A	21600	24400	27500	30800	34400	38200	39100	43200	47400	52000	56500
				R-448A	20700	23700	26800	30000	33400	36900	37900	41800	45800	50000	54500
				R-449A	20700	23700	26800	30000	33400	36900	37900	41800	45800	50000	54500
				R-507	24600	27100	29800	32600	35500	38600					
6	XFAM-060D	ZBD45KCE	TFC	R-404A		30700	33600	36600	39700	42900	45300	48800	52000	55500	59000
				R-407A	23900	27100	30400	34100	38000	42000	43200	47600	52000	57000	
				R-407C		26700	29900	33300	37100	41200	42100	46500	51000	56000	61500
				R-448A	24100	27600	31200	34900	38700	42700	43900	48200	53000		
				R-449A	24100	27600	31200	34800	38600	42700	43900	48200	53000		
				R-507		31500	34400	37500	40600	43800					

Physical and Electrical Data

Copeland X-Line Outdoor Refrigeration Units

Model	Comp.	Voltage	Fans	L	W	H	Ref. Conn.		Receiver Capacity (Lbs @ 90% Volume)								MCA	Max Over-Current *	Defrost Relay Rating† (Amps)	Ship Wt.
							Liq.	Suc.	134a	22	404A	407A	407C	448	449	507				
XFAP-030Z-TFC	ZS21KAE	200-230-3	1	40.57	17.23	33.08	1/2	7/8	10.6	10.5	9.1	10.0	9.9	9.7	9.7	9.1	20.1	14	30	252
XFAP-030Z-TFC	ZS21KAE	200-230-3	1	40.57	17.23	33.08	1/2	7/8	10.6	10.5	9.1	10.0	9.9	9.7	9.7	9.1	20.1	14	30	252
XFAP-033Z-CFV	ZS26KAE	208-230-1	1	40.57	17.23	33.08	1/2	7/8	10.6	10.5	9.1	10.0	9.9	9.7	9.7	9.1	30.6	26	30	234
XFAP-033Z-TFC	ZS26KAE	200-220-3	1	40.57	17.23	33.08	1/2	7/8	10.6	10.5	9.1	10.0	9.9	9.7	9.7	9.1	20.4	16.3	30	234
XFAP-037Z-CFV	ZS29KAE	208-230-1	1	40.57	17.23	33.08	1/2	7/8	10.6	10.5	9.1	10.0	9.9	9.7	9.7	9.1	33.7	30.7	30	234
XFAP-037Z-TFC	ZS29KAE	200-220-3	1	40.57	17.23	33.08	1/2	7/8	10.6	10.5	9.1	10.0	9.9	9.7	9.7	9.1	26.7	16.8	30	234
XFAP-045Z-CFV	ZS33KAE	208-230-1	2	40.59	17.23	48.88	1/2	7/8	15.7	15.4	13.4	14.8	14.7	14.2	14.3	13.4	37.4	34	30	226
XFAP-045Z-CFV	ZS33KAE	208-230-1	2	40.59	17.23	48.88	1/2	7/8	15.7	15.4	13.4	14.8	14.7	14.2	14.3	13.4	37.4	34	30	226
XFAP-045Z-TFC	ZS33KAE	200-220-3	2	40.59	17.23	48.88	1/2	7/8	15.7	15.4	13.4	14.8	14.7	14.2	14.3	13.4	30	19.3	30	333
XFAP-045Z-TFC	ZS33KAE	200-220-3	2	40.59	17.23	48.88	1/2	7/8	15.7	15.4	13.4	14.8	14.7	14.2	14.3	13.4	30	19.3	30	333
XFAP-045Z-TFC	ZS33KAE	200-230-3	2	40.59	17.23	48.88	1/2	7/8	15.7	15.4	13.4	14.8	14.7	14.2	14.3	13.4	30	19.3	30	333
XFAP-045Z-TFC	ZS33KAE	200-230-3	2	40.59	17.23	48.88	1/2	7/8	15.7	15.4	13.4	14.8	14.7	14.2	14.3	13.4	30	19.3	30	333
XFAP-050Z-CFV	ZS38K4E	200-1	2	40.59	17.23	48.88	1/2	7/8	15.7	15.4	13.4	14.8	14.7	14.2	14.3	13.4	41.9	40	30	333
XFAP-050Z-CFV	ZS38K4E	200-1	2	40.59	17.23	48.88	1/2	7/8	15.7	15.4	13.4	14.8	14.7	14.2	14.3	13.4	41.9	40	30	333
XFAP-050Z-CFV	ZS38K4E	208-230-1	2	40.59	17.23	48.88	1/2	7/8	15.7	15.4	13.4	14.8	14.7	14.2	14.3	13.4	41.9	40	30	333
XFAP-050Z-CFV	ZS38K4E	208-230-1	2	40.59	17.23	48.88	1/2	7/8	15.7	15.4	13.4	14.8	14.7	14.2	14.3	13.4	41.9	40	30	333
XFAP-050Z-TFC	ZS38K4E	200-220-3	2	40.59	17.23	48.88	1/2	7/8	15.7	15.4	13.4	14.8	14.7	14.2	14.3	13.4	28.9	22	30	150
XFAP-050Z-TFC	ZS38K4E	200-220-3	2	40.59	17.23	48.88	1/2	7/8	15.7	15.4	13.4	14.8	14.7	14.2	14.3	13.4	28.9	22	30	150
XFAP-050Z-TFC	ZS38K4E	200-230-3	2	40.59	17.23	48.88	1/2	7/8	15.7	15.4	13.4	14.8	14.7	14.2	14.3	13.4	28.9	22	30	150
XFAP-050Z-TFC	ZS38K4E	200-230-3	2	40.59	17.23	48.88	1/2	7/8	15.7	15.4	13.4	14.8	14.7	14.2	14.3	13.4	28.9	22	30	150
XFAP-060Z-TFC	ZS45K4E	200-220-3	2	40.59	17.34	48.88	1/2	7/8	15.7	15.4	13.4	14.8	14.7	14.2	14.3	13.4	32	25	30	333
XFAP-060Z-TFC	ZS45K4E	200-230-3	2	40.59	17.34	48.88	1/2	7/8	15.7	15.4	13.4	14.8	14.7	14.2	14.3	13.4	32	25	30	333
Digital Models																				
XFAM-030D-CFV	ZBD21KCE	208-230-1	1	40.58	17.34	33.08	1/2	7/8	10.6	10.5	9.1	10.0	9.9	9.7	9.7	9.1	24.7	20.2	30	244
XFAM-030D-TFC	ZBD21KCE	200-220-3	1	40.58	17.34	33.08	1/2	7/8	10.6	10.5	9.1	10.0	9.9	9.7	9.7	9.1	16.8	13	30	244
XFAM-040D-TFC	ZBD30KCE	200-220-3	2	40.58	17.23	48.86	1/2	7/8	15.7	15.4	13.4	14.8	14.7	14.2	14.2	13.4	21.7	18.2	30	245
XFAM-050D-CFV	ZBD38KCE	208-230-1	2	40.58	17.23	48.86	1/2	7/8	15.7	15.4	13.4	14.8	14.7	14.2	14.2	13.4	45	47	30	250
XFAM-050D-TFC	ZBD38KCE	200-220-3	2	40.58	17.23	48.86	1/2	7/8	15.7	15.4	13.4	14.8	14.7	14.2	14.2	13.4	31.7	22.9	30	250
XFAM-060D-TFC	ZBD45KCE	200-220-3	2	40.58	17.23	48.86	1/2	7/8	15.7	15.4	13.4	14.8	14.7	14.2	14.2	13.4	30.2	26.2	30	255

* Max over-current rating applies to the condensing unit only. Additional evaporator fan or defrost heater loads must be considered. See evaporator manufacturer literature for additional load requirements.
 † Defrost relay for single phase heaters only. For three-phase heaters, additional contactors are required.

Outdoor AWEF Cooler Scores

If a score is shown in the table below, the following statement applies: *This refrigeration system is designed and certified for use in walk-in cooler applications.*

Model Number	R-404A	R-407A	R-448A R-449A
Medium-Temp			
XFAM-008Z-CFV-081	7.6	7.6	7.6
XFAM-008Z-TFC-081	7.6	7.6	7.6
XFAM-010Z-CFV-081	7.6	7.6	7.6
XFAM-010Z-TFC-081	7.6	7.6	7.6
XFAM-012Z-CFV-081	7.6	7.6	7.6
XFAM-012Z-TFC-081	7.6	7.6	7.6
XFAM-015Z-CFV-081	7.6	7.6	7.6
XFAM-015Z-TFC-081	7.6	7.6	7.6
XFAM-017Z-CFV-081	7.6	7.6	7.6
XFAM-017Z-TFC-081	7.6	7.6	7.6
XFAM-020Z-CFV-081	7.6	7.6	7.6
XFAM-020Z-TFC-081	7.6	7.6	7.6
XFAM-022Z-CFV-081	7.6	7.6	7.6
XFAM-022Z-TFC-081	7.6	7.6	7.6
XFAM-025Z-CFV-081	7.6	7.6	7.6
XFAM-025Z-TFC-081	7.6	7.6	7.6
XFAM-030Z-CFV-081	7.6	7.6	7.6
XFAM-030Z-TFC-081	7.6	7.6	7.6
XFAM-033Z-CFV-081	7.6	7.6	7.6
XFAM-033Z-TFC-081	7.6	7.6	7.6
XFAM-037Z-CFV-081	7.6	7.6	7.6
XFAM-037Z-TFC-081	7.6	7.6	7.6
XFAM-045Z-CFV-081	7.6	7.6	7.6
XFAM-045Z-TFC-081	7.6	7.6	7.6
XFAM-050Z-CFV-081	7.6	7.6	7.6
XFAM-050Z-TFC-081	7.6	7.6	7.6
XFAM-060Z-TFC-081	7.6	7.6	7.6
XFAP-015Z-CFV-081	7.6	7.6	7.6
XFAP-015Z-TFC-081	7.6	7.6	7.6
XFAP-017Z-CFV-081	7.6	7.6	7.6
XFAP-017Z-TFC-081	7.6	7.6	7.6
XFAP-020Z-CFV-081	7.6	7.6	7.6
XFAP-020Z-TFC-081	7.6	7.6	7.6
XFAP-022Z-CFV-081	7.6	7.6	7.6
XFAP-022Z-TFC-081	7.6	7.6	7.6
XFAP-025Z-CFV-081	7.6	7.6	7.6
XFAP-025Z-TFC-081	7.6	7.6	7.6
XFAP-030Z-CFV-081	7.6	7.6	7.6
XFAP-030Z-TFC-081	7.6	7.6	7.6
XFAP-033Z-CFV-081	7.6	7.6	7.6
XFAP-033Z-TFC-081	7.6	7.6	7.6
XFAP-037Z-CFV-081	7.6	7.6	7.6
XFAP-037Z-TFC-081	7.6	7.6	7.6
XFAP-045Z-CFV-081	7.6	7.6	7.6
XFAP-045Z-TFC-081	7.6	7.6	7.6
XFAP-050Z-CFV-081	7.6	7.6	7.6
XFAP-050Z-TFC-081	7.6	7.6	7.6
XFAP-060Z-TFC-081	7.6	7.6	7.6
Medium Temp Digital			
XFAM-030D-CFV-081	7.6	7.6	7.6
XFAM-030D-TFC-081	7.6	7.6	7.6
XFAM-040D-TFC-081	7.6	7.6	7.6
XFAM-050D-CFV-081	7.6	7.6	7.6
XFAM-050D-TFC-081	7.6	7.6	7.6
XFAM-060D-TFC-081	7.6	7.6	7.6

Outdoor AWEF Freezer Scores

If a score is shown in the table below, the following statement applies: *This refrigeration system is designed and certified for use in walk-in freezer applications.*

Model Number	R-404A	R-407A	R-448A R-449A
Low-Temp			
XFAL-008Z-CFV-081	2.92	2.89	2.9
XFAL-008Z-TFC-081	2.92	2.89	2.9
XFAL-009Z-CFV-081	2.98	2.94	2.95
XFAL-009Z-TFC-081	2.98	2.94	2.95
XFAL-010Z-CFV-081	3.04	2.98	2.99
XFAL-010Z-TFC-081	3.04	2.98	2.99
XFAL-012Z-CFV-081	3.15	3.13	3.14
XFAL-012Z-TFC-081	3.15	3.13	3.14
XFAL-020Z-CFV-081	3.15	3.15	3.15
XFAL-020Z-TFC-081	3.15	3.15	3.15
XFAL-030Z-TFC-081	3.15	3.15	3.15
XFAL-035Z-CFV-081	3.15	3.15	3.15
XFAL-035Z-TFC-081	3.15	3.15	3.15
XFAL-040Z-CFV-081	3.15	3.15	3.15
XFAL-040Z-TFC-081	3.15	3.15	3.15
XFAL-050Z-TFC-081	3.15	3.15	3.15
XFAL-051Z-CFV-081	3.15	3.15	3.15
XFAL-060Z-TFC-081	3.15	3.15	3.15

X-Line Service - Low Temp (3/4 - 1 1/4 HP)

Production Part	Description	XFAL-008Z-CFV-081	XFAL-008Z-TFC-081	XFAL-009Z-CFV-081	XFAL-009Z-TFC-081	XFAL-010Z-CFV-081	XFAL-010Z-TFC-081	XFAL-012Z-CFV-081	XFAL-012Z-TFC-081
022-0644-00	BASE-PLATE	922-0644-00	922-0644-00	922-0644-00	922-0644-00	922-0644-00	922-0644-00	922-0644-00	922-0644-00
083-6931-00	BLADE	983-6931-00	983-6931-00	983-6931-00	983-6931-00	983-6931-00	983-6931-00	983-6931-00	983-6931-00
062-7053-00	BOX-ELECTRICAL	062-7053-00	062-7053-00	062-7053-00	062-7053-00	062-7053-00	062-7053-00	062-7053-00	062-7053-00
074-1205-00	BRACKET STABILIZER TOP	074-1205-00	074-1205-00	074-1205-00	074-1205-00	074-1205-00	074-1205-00	074-1205-00	074-1205-00
074-1424-00	BRACKET-CONTROL MTG	074-1424-00	074-1424-00	074-1424-00	074-1424-00	074-1424-00	074-1424-00	074-1424-00	074-1424-00
074-1425-00	BRACKET-CONTROL MTG								
074-7284-00	BRACKET-COVER RIGHT	074-7284-00	074-7284-00	074-7284-00	074-7284-00	074-7284-00	074-7284-00	074-7284-00	074-7284-00
074-7283-00	BRACKET-HEAT EXCHANGER								
074-7282-00	BRACKET-MOUNTING	074-7282-00	074-7282-00	074-7282-00	074-7282-00	074-7282-00	074-7282-00	074-7282-00	074-7282-00
071-7018-00	BREAKER-CIRCUIT	971-7018-00	971-7018-00	971-7018-00	971-7018-00	971-7018-00	971-7018-00	971-7018-00	971-7018-00
529-0220-02	CABLE AMBIENT SENSOR	529-0220-02	529-0220-02	529-0220-02	529-0220-02	529-0220-02	529-0220-02	529-0220-02	529-0220-02
529-0220-00	CABLE-COND TEMP SENSOR	529-0220-00	529-0220-00	529-0220-00	529-0220-00	529-0220-00	529-0220-00	529-0220-00	529-0220-00
529-0220-01	CABLE-DISCH TEMP SENSOR	529-0220-01	529-0220-01	529-0220-01	529-0220-01	529-0220-01	529-0220-01	529-0220-01	529-0220-01
529-0220-09	CABLE-DISCH TEMP SENSOR								
529-0220-05	CABLE-LIQUID LINE SENSOR								
529-0220-10	CABLE-LIQUID LINE SENSOR								
529-0114-08	CABLE-SENSOR ASSEMBLY	529-0114-08	529-0114-08	529-0114-08	529-0114-08	529-0114-08	529-0114-08	529-0114-08	529-0114-08
529-0220-03	CABLE-VAPOR INLET SENSOR								
529-0220-08	CABLE-VAPOR OUTLET SENS.								
529-0222-01	CABLE-WIRE HARNESS	529-0222-01	529-0222-01	529-0222-01	529-0222-01	529-0222-01	529-0222-01	529-0222-01	529-0222-01
529-0222-02	CABLE-WIRE HARNESS								
014-0083-00	CAPACITOR-FAN	914-0083-00	914-0083-00	914-0083-00	914-0083-00	914-0083-00	914-0083-00	914-0083-00	914-0083-00
014-0064-06	CAPACITOR-RUNNING	914-0037-10		914-0037-10		914-0037-10			
014-0064-18	CAPACITOR-RUNNING								
014-0064-25	CAPACITOR-RUNNING							914-0037-36	
014-0064-27	CAPACITOR-RUNNING								
014-0064-35	CAPACITOR-RUNNING								
014-0006-15	CAPACITOR-START								
014-0061-27	CAPACITOR-START	914-0036-03		914-0036-03		914-0036-03		914-0036-03	
032-0359-07	CLAMP-CAPACITOR	032-0359-07		032-0359-07		032-0359-07			
032-0359-08	CLAMP-CAPACITOR	032-0359-08		032-0359-08		032-0359-08		032-0359-08	
032-0743-01	CLAMP-CAPACITOR	032-0743-01	032-0743-01	032-0743-01	032-0743-01	032-0743-01	032-0743-01	032-0743-01	032-0743-01
032-7052-00	CLAMP-HEAT EXCHANGER								
032-7053-00	CLAMP-TY RAP	032-7053-00	032-7053-00	032-7053-00	032-7053-00	032-7053-00	032-7053-00	032-7053-00	032-7053-00
032-0688-02	CLIP-PIPE	032-0688-02	032-0688-02	032-0688-02	032-0688-02	032-0688-02	032-0688-02	032-0688-02	032-0688-02
032-0731-00	CLIP-SENSOR	032-0731-00	032-0731-00	032-0731-00	032-0731-00	032-0731-00	032-0731-00	032-0731-00	032-0731-00
023-0068-00	COIL-EXV								
023-0068-04	COIL-EXV								
066-0387-00	CONDENSER								
066-0388-00	CONDENSER								
066-0389-00	CONDENSER	066-0389-00	066-0389-00	066-0389-00	066-0389-00	066-0389-00	066-0389-00	066-0389-00	066-0389-00
066-0393-00	CONDENSER								
066-0800-00	CONDENSER								
012-1401-04	CONTACTOR	912-1401-04		912-1401-04		912-1401-04		912-1401-04	
012-1401-06	CONTACTOR		012-1401-06		012-1401-06		012-1401-06		012-1401-06
543-0214-00	CONTROLLER-ELECT. UNIT	943-0214-00	943-0214-00	943-0214-00	943-0214-00	943-0214-00	943-0214-00	943-0214-00	943-0214-00
085-7031-06	CONTROL-PRESSURE	985-7031-06	985-7031-06	985-7031-06	985-7031-06	985-7031-06	985-7031-06	985-7031-06	985-7031-06
005-7230-00	COVER-ELECTRICAL BOX	905-7230-00	905-7230-00	905-7230-00	905-7230-00	905-7230-00	905-7230-00	905-7230-00	905-7230-00
005-7193-00	COVER-HANDLE	905-7193-00	905-7193-00	905-7193-00	905-7193-00	905-7193-00	905-7193-00	905-7193-00	905-7193-00
005-1331-00	COVER-RIGHT	905-1331-00	905-1331-00	905-1331-00	905-1331-00	905-1331-00	905-1331-00	905-1331-00	905-1331-00
005-1876-00	COVER-RIGHT								

X-Line Service - Low Temp (3/4 - 1 1/4 HP)

Production Part	Description	XFAL-008Z-CFV-081	XFAL-008Z-TFC-081	XFAL-009Z-CFV-081	XFAL-009Z-TFC-081	XFAL-010Z-CFV-081	XFAL-010Z-TFC-081	XFAL-012Z-CFV-081	XFAL-012Z-TFC-081
005-1280-00	COVER-SENSOR	905-1280-00	905-1280-00	905-1280-00	905-1280-00	905-1280-00	905-1280-00	905-1280-00	905-1280-00
005-1273-00	COVER-TOP	905-1273-00	905-1273-00	905-1273-00	905-1273-00	905-1273-00	905-1273-00	905-1273-00	905-1273-00
518-0068-00	CRANKCASE HEATER ASSM.								
518-0068-01	CRANKCASE HEATER ASSM.								
518-0068-02	CRANKCASE HEATER ASSM.	518-0068-02	518-0068-02	518-0068-02	518-0068-02	518-0068-02	518-0068-02	518-0068-02	518-0068-02
518-0068-03	CRANKCASE HEATER ASSM.								
505-7098-00	DOOR ASSEMBLY								
505-7099-00	DOOR ASSEMBLY	505-7099-00	505-7099-00	505-7099-00	505-7099-00	505-7099-00	505-7099-00	505-7099-00	505-7099-00
013-0119-00	FILTER STRAINER	013-0119-00	013-0119-00	013-0119-00	013-0119-00	013-0119-00	013-0119-00	013-0119-00	013-0119-00
013-7000-31	FILTER-DRIER	913-7000-31	913-7000-31	913-7000-31	913-7000-31	913-7000-31	913-7000-31	913-7000-31	913-7000-31
013-7026-00	FILTER-SCREEN								
024-0262-00	GUARD-COND COIL								
024-0263-00	GUARD-COND COIL	924-0263-00	924-0263-00	924-0263-00	924-0263-00	924-0263-00	924-0263-00	924-0263-00	924-0263-00
024-0264-00	GUARD-FAN	924-0264-00	924-0264-00	924-0264-00	924-0264-00	924-0264-00	924-0264-00	924-0264-00	924-0264-00
005-7193-01	HAND-GRIP	905-7193-01	905-7193-01	905-7193-01	905-7193-01	905-7193-01	905-7193-01	905-7193-01	905-7193-01
018-0094-05	HEATER-CRANKCASE	918-0052-05	918-0052-05	918-0052-05	918-0052-05	918-0052-05	918-0052-05	918-0052-05	918-0052-05
018-0095-04	HEATER-CRANKCASE								
018-7013-00	HEATER-RECEIVER	918-0100-00	918-0100-00	918-0100-00	918-0100-00	918-0100-00	918-0100-00	918-0100-00	918-0100-00
032-0592-00	HOLDER-SENSOR	032-0592-00	032-0592-00	032-0592-00	032-0592-00	032-0592-00	032-0592-00	032-0592-00	032-0592-00
943-0039-00	HOTKEY PROGRAM GROUP	943-0039-00	943-0039-00	943-0039-00	943-0039-00	943-0039-00	943-0039-00	943-0039-00	943-0039-00
570-7003-06	INDICATOR-MOISTURE	970-7003-06	970-7003-06	970-7003-06	970-7003-06	970-7003-06	970-7003-06	970-7003-06	970-7003-06
064-7052-00	INSULATION								
064-7053-00	INSULATION								
064-7054-00	INSULATION	064-7054-00	064-7054-00	064-7054-00	064-7054-00	064-7054-00	064-7054-00	064-7054-00	064-7054-00
052-7289-00	LABEL LOCK / UNLOCK	052-7289-00	052-7289-00	052-7289-00	052-7289-00	052-7289-00	052-7289-00	052-7289-00	052-7289-00
050-0316-01	MOTOR-FAN	050-0316-01	050-0316-01	050-0316-01	050-0316-01	050-0316-01	050-0316-01	050-0316-01	050-0316-01
101-7018-00	NUT-HEX	101-7018-00	101-7018-00	101-7018-00	101-7018-00	101-7018-00	101-7018-00	101-7018-00	101-7018-00
003-1487-00	PLATE-DIVIDER	903-1487-00	903-1487-00	903-1487-00	903-1487-00	903-1487-00	903-1487-00	903-1487-00	903-1487-00
003-1576-00	PLATE-DIVIDER								
005-7214-00	PLATE-FRONT LEFT								
005-7215-00	PLATE-FRONT LEFT	905-7215-00	905-7215-00	905-7215-00	905-7215-00	905-7215-00	905-7215-00	905-7215-00	905-7215-00
529-0060-04	POWER CABLE-MOLDED PLUG	529-0060-04	529-0060-04	529-0060-04	529-0060-04	529-0060-04	529-0060-04	529-0060-04	529-0060-04
529-0060-25	POWER CABLE-MOLDED PLUG								
577-0542-00	RECEIVER ASSEMBLY	577-0542-00	577-0542-00	577-0542-00	577-0542-00	577-0542-00	577-0542-00	577-0542-00	577-0542-00
577-0542-01	RECEIVER ASSEMBLY								
577-0542-02	RECEIVER ASSEMBLY								
040-0166-37	RELAY- QUICK CONNECT	940-0001-79		940-0001-79		940-0001-79		940-0001-79	
040-0181-00	RELAY-DEFROST	940-0181-00	940-0181-00	940-0181-00	940-0181-00	940-0181-00	940-0181-00	940-0181-00	940-0181-00
040-0046-24	RELAY-POTENTIAL HEAVY								
100-7034-00	SCREW-AMBIENT HOLDER	100-7034-00	100-7034-00	100-7034-00	100-7034-00	100-7034-00	100-7034-00	100-7034-00	100-7034-00
527-7026-00	SPACER-MOUNTING GROUP	527-7026-00	527-7026-00	527-7026-00	527-7026-00	527-7026-00	527-7026-00	527-7026-00	527-7026-00
527-7026-02	SPACER-MOUNTING GROUP								
077-0036-01	TANK-ACCUMULATOR								
077-0037-01	TANK-ACCUMULATOR	977-0037-01	977-0037-01	977-0037-01	977-0037-01	977-0037-01	977-0037-01	977-0037-01	977-0037-01
077-0057-00	TANK-OIL SEPARATOR	977-0057-00	977-0057-00	977-0057-00	977-0057-00	977-0057-00	977-0057-00	977-0057-00	977-0057-00
080-0139-08	TERMINAL BLOCK	980-0139-08	980-0139-08	980-0139-08	980-0139-08	980-0139-08	980-0139-08	980-0139-08	980-0139-08
080-0139-09	TERMINAL BLOCK	980-0139-09	980-0139-09	980-0139-09	980-0139-09	980-0139-09	980-0139-09	980-0139-09	980-0139-09
580-0086-00	TERMINAL BLOCK ASSEMBLY	980-0086-00		980-0086-00		980-0086-00		980-0086-00	
580-0086-01	TERMINAL BLOCK ASSEMBLY		980-0086-01		980-0086-01		980-0086-01		980-0086-01
039-0026-06	TRANSDUCER - PRESSURE	039-0026-06	039-0026-06	039-0026-06	039-0026-06	039-0026-06	039-0026-06	039-0026-06	039-0026-06
037-0038-01	TRANSFORMER CONTROL	037-0038-01	037-0038-01	037-0038-01	037-0038-01	037-0038-01	037-0038-01	037-0038-01	037-0038-01

X-Line Service - Low Temp (3/4 - 1 1/4 HP)

Production Part	Description	XFAL-008Z-CFV-081	XFAL-008Z-TFC-081	XFAL-009Z-CFV-081	XFAL-009Z-TFC-081	XFAL-010Z-CFV-081	XFAL-010Z-TFC-081	XFAL-012Z-CFV-081	XFAL-012Z-TFC-081
510-7062-00	VALVE-ACCESS	910-7062-00	910-7062-00	910-7062-00	910-7062-00	910-7062-00	910-7062-00	910-7062-00	910-7062-00
010-7003-01	VALVE-CHECK	910-7003-01	910-7003-01	910-7003-01	910-7003-01	910-7003-01	910-7003-01	910-7003-01	910-7003-01
510-0894-00	VALVE-DTC GROUP	998-0746-00	998-0746-00	998-0746-00	998-0746-00	998-0746-00	998-0746-00	998-0746-00	998-0746-00
010-0104-00	VALVE-EXV								
510-0730-01	VALVE-HIGH PRESSURE	910-0730-00	910-0730-00	910-0730-00	910-0730-00	910-0730-00	910-0730-00	910-0730-00	910-0730-00
003-1220-00	VALVE-PLATE	903-1220-00	903-1220-00	903-1220-00	903-1220-00	903-1220-00	903-1220-00	903-1220-00	903-1220-00
010-0142-02	VALVE-SERVICE	910-0142-02	910-0142-02	910-0142-02	910-0142-02	910-0142-02	910-0142-02	910-0142-02	910-0142-02
010-0179-00	VALVE-SERVICE	910-7009-01	910-7009-01	910-7009-01	910-7009-01	910-7009-01	910-7009-01	910-7009-01	910-7009-01
010-0180-00	VALVE-SERVICE	910-0180-00	910-0180-00	910-0180-00	910-0180-00	910-0180-00	910-0180-00	910-0180-00	910-0180-00
ZF03KAE-PFV-118	WELD COMP	ZF03KAE-PFV-818							
ZF03KAE-TF5-118	WELD COMP		ZF03KAE-TF5-818						
ZF04KAE-PFV-118	WELD COMP			ZF04KAE-PFV-818					
ZF04KAE-TF5-118	WELD COMP				ZF04KAE-TF5-818				
ZF05KAE-PFV-118	WELD COMP					ZF05KAE-PFV-818			
ZF05KAE-TF5-118	WELD COMP						ZF05KAE-TF5-818		
ZF07KAE-PFV-118	WELD COMP							ZF07KAE-PFV-818	
ZF07KAE-TF5-118	WELD COMP								ZF07KAE-TF5-818
Accessories									
	Master Service Kit	980-0080-00	980-0080-00	980-0080-00	980-0080-00	980-0080-00	980-0080-00	980-0080-00	980-0080-00
	Wall Bracket	074-7286-00	074-7286-00	074-7286-00	074-7286-00	074-7286-00	074-7286-00	074-7286-00	074-7286-00
	Adjustable Stand	074-7289-00	074-7289-00	074-7289-00	074-7289-00	074-7289-00	074-7289-00	074-7289-00	074-7289-00
	CoreSense Communications Kit	943-0224-00	943-0224-00	943-0224-00	943-0224-00	943-0224-00	943-0224-00	943-0224-00	943-0224-00
	Remote Display - Controller	143-0023-00	143-0023-00	143-0023-00	143-0023-00	143-0023-00	143-0023-00	143-0023-00	143-0023-00

X-Line Service - Low Temp (2 - 6 HP)

Production Part	Description	XFAL-020Z-CFV-081	XFAL-020Z-TFC-081	XFAL-030Z-TFC-081	XFAL-035Z-CFV-081	XFAL-035Z-TFC-081	XFAL-040Z-CFV-081	XFAL-040Z-TFC-081	XFAL-050Z-TFC-081	XFAL-051Z-CFV-081	XFAL-060Z-TFC-081
022-0644-00	BASE-PLATE	922-0644-00	922-0644-00	922-0644-00	922-0644-00	922-0644-00	922-0644-00	922-0644-00	922-0644-00	922-0644-00	922-0644-00
083-6931-00	BLADE	983-6931-00	983-6931-00	983-6931-00	983-6931-00	983-6931-00	983-6931-00	983-6931-00	983-6931-00	983-6931-00	983-6931-00
062-7053-00	BOX-ELECTRICAL	062-7053-00	062-7053-00	062-7053-00	062-7053-00	062-7053-00	062-7053-00	062-7053-00	062-7053-00	062-7053-00	062-7053-00
074-1205-00	BRACKET STABILIZER TOP	074-1205-00	074-1205-00	074-1205-00	074-1205-00	074-1205-00	074-1205-00	074-1205-00	074-1205-00	074-1205-00	074-1205-00
074-1424-00	BRACKET-CONTROL MTG	074-1424-00	074-1424-00	074-1424-00	074-1424-00	074-1424-00					
074-1425-00	BRACKET-CONTROL MTG						074-1425-00	074-1425-00	074-1425-00	074-1425-00	074-1425-00
074-7284-00	BRACKET-COVER RIGHT	074-7284-00	074-7284-00	074-7284-00	074-7284-00	074-7284-00	074-7284-00	074-7284-00	074-7284-00	074-7284-00	074-7284-00
074-7283-00	BRACKET-HEAT EXCHANGER	074-7283-00	074-7283-00	074-7283-00	074-7283-00	074-7283-00	074-7283-00	074-7283-00	074-7283-00	074-7283-00	074-7283-00
074-7282-00	BRACKET-MOUNTING	074-7282-00	074-7282-00	074-7282-00	074-7282-00	074-7282-00	074-7282-00	074-7282-00	074-7282-00	074-7282-00	074-7282-00
071-7018-00	BREAKER-CIRCUIT	971-7018-00	971-7018-00	971-7018-00	971-7018-00	971-7018-00	971-7018-00	971-7018-00	971-7018-00	971-7018-00	971-7018-00
529-0220-02	CABLE AMBIENT SENSOR	529-0220-02	529-0220-02	529-0220-02	529-0220-02	529-0220-02	529-0220-02	529-0220-02	529-0220-02	529-0220-02	529-0220-02
529-0220-00	CABLE-COND TEMP SENSOR	529-0220-00	529-0220-00	529-0220-00	529-0220-00	529-0220-00	529-0220-00	529-0220-00	529-0220-00	529-0220-00	529-0220-00
529-0220-01	CABLE-DISCH TEMP SENSOR	529-0220-01	529-0220-01	529-0220-01	529-0220-01	529-0220-01					
529-0220-09	CABLE-DISCH TEMP SENSOR						529-0220-09	529-0220-09	529-0220-09	529-0220-09	529-0220-09
529-0220-05	CABLE-LIQUID LINE SENSOR	529-0220-05	529-0220-05	529-0220-05	529-0220-05	529-0220-05					
529-0220-10	CABLE-LIQUID LINE SENSOR						529-0220-10	529-0220-10	529-0220-10	529-0220-10	529-0220-10
529-0114-08	CABLE-SENSOR ASSEMBLY	529-0114-08	529-0114-08	529-0114-08	529-0114-08	529-0114-08	529-0114-08	529-0114-08	529-0114-08	529-0114-08	529-0114-08
529-0220-03	CABLE-VAPOR INLET SENSOR	529-0220-03	529-0220-03	529-0220-03	529-0220-03	529-0220-03	529-0220-03	529-0220-03	529-0220-03	529-0220-03	529-0220-03
529-0220-08	CABLE-VAPOR OUTLET SENS.	529-0220-08	529-0220-08	529-0220-08	529-0220-08	529-0220-08	529-0220-08	529-0220-08	529-0220-08	529-0220-08	529-0220-08
529-0222-01	CABLE-WIRE HARNESS	529-0222-01	529-0222-01	529-0222-01	529-0222-01	529-0222-01					
529-0222-02	CABLE-WIRE HARNESS						529-0222-02	529-0222-02	529-0222-02	529-0222-02	529-0222-02
014-0083-00	CAPACITOR-FAN	914-0083-00	914-0083-00	914-0083-00	914-0083-00	914-0083-00	914-0083-00	914-0083-00	914-0083-00	914-0083-00	914-0083-00
014-0064-06	CAPACITOR-RUNNING										
014-0064-18	CAPACITOR-RUNNING				914-0037-22						
014-0064-25	CAPACITOR-RUNNING	914-0037-36									
014-0064-27	CAPACITOR-RUNNING						914-0037-38				
014-0064-35	CAPACITOR-RUNNING								914-0037-52		
014-0006-15	CAPACITOR-START								914-0006-10		
014-0061-27	CAPACITOR-START	914-0036-03			914-0036-03		914-0036-03				
032-0359-07	CLAMP-CAPACITOR										
032-0359-08	CLAMP-CAPACITOR	032-0359-08			032-0359-08		032-0359-08				
032-0743-01	CLAMP-CAPACITOR	032-0743-01	032-0743-01	032-0743-01	032-0743-01	032-0743-01	032-0743-01	032-0743-01	032-0743-01	032-0743-01	032-0743-01
032-7052-00	CLAMP-HEAT EXCHANGER	032-7052-00	032-7052-00	032-7052-00	032-7052-00	032-7052-00	032-7052-00	032-7052-00	032-7052-00	032-7052-00	032-7052-00
032-7053-00	CLAMP-TY RAP	032-7053-00	032-7053-00	032-7053-00	032-7053-00	032-7053-00	032-7053-00	032-7053-00	032-7053-00	032-7053-00	032-7053-00
032-0688-02	CLIP-PIPE	032-0688-02	032-0688-02	032-0688-02	032-0688-02	032-0688-02	032-0688-02	032-0688-02	032-0688-02	032-0688-02	032-0688-02
032-0731-00	CLIP-SENSOR	032-0731-00	032-0731-00	032-0731-00	032-0731-00	032-0731-00	032-0731-00	032-0731-00	032-0731-00	032-0731-00	032-0731-00
023-0068-00	COIL-EXV						023-0068-00	023-0068-00	023-0068-00	023-0068-00	023-0068-00
023-0068-04	COIL-EXV	923-0068-00	923-0068-00	923-0068-00	923-0068-00	923-0068-00					
066-0387-00	CONDENSER							066-0387-00	066-0387-00		
066-0388-00	CONDENSER						066-0388-00	066-0388-00			
066-0389-00	CONDENSER	066-0389-00	066-0389-00								
066-0393-00	CONDENSER										066-0393-00
066-0800-00	CONDENSER			066-0800-00	066-0800-00	066-0800-00					
012-1401-04	CONTACTOR	912-1401-04			912-1401-04		912-1401-04			912-1401-04	
012-1401-06	CONTACTOR		012-1401-06	012-1401-06		012-1401-06		012-1401-06	012-1401-06		012-1401-06
543-0214-00	CONTROLLER-ELECT. UNIT	943-0214-00	943-0214-00	943-0214-00	943-0214-00	943-0214-00	943-0214-00	943-0214-00	943-0214-00	943-0214-00	943-0214-00
085-7031-06	CONTROL-PRESSURE	985-7031-06	985-7031-06	985-7031-06	985-7031-06	985-7031-06	985-7031-06	985-7031-06	985-7031-06	985-7031-06	985-7031-06
005-7230-00	COVER-ELECTRICAL BOX	905-7230-00	905-7230-00	905-7230-00	905-7230-00	905-7230-00	905-7230-00	905-7230-00	905-7230-00	905-7230-00	905-7230-00
005-7193-00	COVER-HANDLE	905-7193-00	905-7193-00	905-7193-00	905-7193-00	905-7193-00	905-7193-00	905-7193-00	905-7193-00	905-7193-00	905-7193-00
005-1331-00	COVER-RIGHT	905-1331-00	905-1331-00	905-1331-00	905-1331-00	905-1331-00					
005-1876-00	COVER-RIGHT						005-1876-00	005-1876-00	005-1876-00	005-1876-00	005-1876-00

X-Line Service - Low Temp (2 - 6 HP)

Production Part	Description	XFAL-020Z-CFV-081	XFAL-020Z-TFC-081	XFAL-030Z-TFC-081	XFAL-035Z-CFV-081	XFAL-035Z-TFC-081	XFAL-040Z-CFV-081	XFAL-040Z-TFC-081	XFAL-050Z-TFC-081	XFAL-051Z-CFV-081	XFAL-060Z-TFC-081
005-1280-00	COVER-SENSOR	905-1280-00	905-1280-00	905-1280-00	905-1280-00	905-1280-00	905-1280-00	905-1280-00	905-1280-00	905-1280-00	905-1280-00
005-1273-00	COVER-TOP	905-1273-00	905-1273-00	905-1273-00	905-1273-00	905-1273-00	905-1273-00	905-1273-00	905-1273-00	905-1273-00	905-1273-00
518-0068-00	CRANKCASE HEATER ASSM.				518-0068-00	518-0068-00					
518-0068-01	CRANKCASE HEATER ASSM.						518-0068-01	518-0068-01	518-0068-01		518-0068-01
518-0068-02	CRANKCASE HEATER ASSM.	518-0068-02	518-0068-02	518-0068-02							
518-0068-03	CRANKCASE HEATER ASSM.									518-0068-03	
505-7098-00	DOOR ASSEMBLY						505-7098-00	505-7098-00	505-7098-00	505-7098-00	505-7098-00
505-7099-00	DOOR ASSEMBLY	505-7099-00	505-7099-00	505-7099-00	505-7099-00	505-7099-00					
013-0119-00	FILTER STRAINER										
013-7000-31	FILTER-DRIER	913-7000-31	913-7000-31	913-7000-31	913-7000-31	913-7000-31	913-7000-31	913-7000-31	913-7000-31	913-7000-31	913-7000-31
013-7026-00	FILTER-SCREEN	913-7026-00	913-7026-00	913-7026-00	913-7026-00	913-7026-00	913-7026-00	913-7026-00	913-7026-00	913-7026-00	913-7026-00
024-0262-00	GUARD-COND COIL						924-0262-00	924-0262-00	924-0262-00	924-0262-00	924-0262-00
024-0263-00	GUARD-COND COIL	924-0263-00	924-0263-00	924-0263-00	924-0263-00	924-0263-00					
024-0264-00	GUARD-FAN	924-0264-00	924-0264-00	924-0264-00	924-0264-00	924-0264-00	924-0264-00	924-0264-00	924-0264-00	924-0264-00	924-0264-00
005-7193-01	HAND-GRIP	905-7193-01	905-7193-01	905-7193-01	905-7193-01	905-7193-01	905-7193-01	905-7193-01	905-7193-01	905-7193-01	905-7193-01
018-0094-05	HEATER-CRANKCASE	918-0052-05	918-0052-05	918-0052-05							
018-0095-04	HEATER-CRANKCASE				918-0043-00	918-0043-00	918-0043-00	918-0043-00	918-0043-00	918-0043-00	918-0043-00
018-7013-00	HEATER-RECEIVER	918-0100-00	918-0100-00	918-0100-00	918-0100-00	918-0100-00	918-0100-00	918-0100-00	918-0100-00	918-0100-00	918-0100-00
032-0592-00	HOLDER-SENSOR	032-0592-00	032-0592-00	032-0592-00	032-0592-00	032-0592-00	032-0592-00	032-0592-00	032-0592-00	032-0592-00	032-0592-00
943-0039-00	HOTKEY PROGRAM GROUP	943-0039-00	943-0039-00	943-0039-00	943-0039-00	943-0039-00	943-0039-00	943-0039-00	943-0039-00	943-0039-00	943-0039-00
570-7003-06	INDICATOR-MOISTURE	970-7003-06	970-7003-06	970-7003-06	970-7003-06	970-7003-06	970-7003-06	970-7003-06	970-7003-06	970-7003-06	970-7003-06
064-7052-00	INSULATION	064-7052-00	064-7052-00	064-7052-00	064-7052-00	064-7052-00	064-7052-00	064-7052-00	064-7052-00	064-7052-00	064-7052-00
064-7053-00	INSULATION	064-7053-00	064-7053-00	064-7053-00	064-7053-00	064-7053-00	064-7053-00	064-7053-00	064-7053-00	064-7053-00	064-7053-00
064-7054-00	INSULATION	064-7054-00	064-7054-00	064-7054-00	064-7054-00	064-7054-00	064-7054-00	064-7054-00	064-7054-00	064-7054-00	064-7054-00
052-7289-00	LABEL LOCK / UNLOCK	052-7289-00	052-7289-00	052-7289-00	052-7289-00	052-7289-00	052-7289-00	052-7289-00	052-7289-00	052-7289-00	052-7289-00
050-0316-01	MOTOR-FAN	050-0316-01	050-0316-01	050-0316-01	050-0316-01	050-0316-01	050-0316-01	050-0316-01	050-0316-01	050-0316-01	050-0316-01
101-7018-00	NUT-HEX	101-7018-00	101-7018-00	101-7018-00	101-7018-00	101-7018-00	101-7018-00	101-7018-00	101-7018-00	101-7018-00	101-7018-00
003-1487-00	PLATE-DIVIDER	903-1487-00	903-1487-00	903-1487-00	903-1487-00	903-1487-00					
003-1576-00	PLATE-DIVIDER						903-1576-00	903-1576-00	903-1576-00	903-1576-00	903-1576-00
005-7214-00	PLATE-FRONT LEFT						905-7214-00	905-7214-00	905-7214-00	905-7214-00	905-7214-00
005-7215-00	PLATE-FRONT LEFT	905-7215-00	905-7215-00	905-7215-00	905-7215-00	905-7215-00					
529-0060-04	POWER CABLE-MOLDED PLUG	529-0060-04	529-0060-04	529-0060-04	529-0060-04	529-0060-04					
529-0060-25	POWER CABLE-MOLDED PLUG						529-0060-25	529-0060-25	529-0060-25		
577-0542-00	RECEIVER ASSEMBLY	577-0542-00	577-0542-00	577-0542-00	577-0542-00	577-0542-00					
577-0542-01	RECEIVER ASSEMBLY						577-0542-01	577-0542-01	577-0542-01		577-0542-01
577-0542-02	RECEIVER ASSEMBLY									577-0542-02	
040-0166-37	RELAY- QUICK CONNECT	940-0001-79			940-0001-79		940-0001-79				
040-0181-00	RELAY-DEFROST	940-0181-00	940-0181-00	940-0181-00	940-0181-00	940-0181-00	940-0181-00	940-0181-00	940-0181-00	940-0181-00	940-0181-00
040-0046-24	RELAY-POTENTIAL HEAVY									940-0046-24	
100-7034-00	SCREW-AMBIENT HOLDER	100-7034-00	100-7034-00	100-7034-00	100-7034-00	100-7034-00	100-7034-00	100-7034-00	100-7034-00	100-7034-00	100-7034-00
527-7026-00	SPACER-MOUNTING GROUP				527-7026-00	527-7026-00	527-7026-00	527-7026-00	527-7026-00	527-7026-00	527-7026-00
527-7026-02	SPACER-MOUNTING GROUP	527-7026-02	527-7026-02	527-7026-02							
077-0036-01	TANK-ACCUMULATOR						977-0036-01	977-0036-01	977-0036-01	977-0036-01	977-0036-01
077-0037-01	TANK-ACCUMULATOR	977-0037-01	977-0037-01	977-0037-01	977-0037-01	977-0037-01					
077-0057-00	TANK-OIL SEPARATOR	977-0057-00	977-0057-00	977-0057-00	977-0057-00	977-0057-00	977-0057-00	977-0057-00	977-0057-00	977-0057-00	977-0057-00
080-0139-08	TERMINAL BLOCK	980-0139-08	980-0139-08	980-0139-08	980-0139-08	980-0139-08	980-0139-08	980-0139-08	980-0139-08	980-0139-08	980-0139-08
080-0139-09	TERMINAL BLOCK	980-0139-09	980-0139-09	980-0139-09	980-0139-09	980-0139-09	980-0139-09	980-0139-09	980-0139-09	980-0139-09	980-0139-09
580-0086-00	TERMINAL BLOCK ASSEMBLY	980-0086-00			980-0086-00		980-0086-00			980-0086-00	
580-0086-01	TERMINAL BLOCK ASSEMBLY		980-0086-01	980-0086-01		980-0086-01		980-0086-01	980-0086-01		980-0086-01
039-0026-06	TRANSDUCER - PRESSURE	039-0026-06	039-0026-06	039-0026-06	039-0026-06	039-0026-06	039-0026-06	039-0026-06	039-0026-06	039-0026-06	039-0026-06
037-0038-01	TRANSFORMER CONTROL	037-0038-01	037-0038-01	037-0038-01	037-0038-01	037-0038-01	037-0038-01	037-0038-01	037-0038-01	037-0038-01	037-0038-01

X-Line Service - Low Temp (2 - 6 HP)

Production Part	Description	XFAL-020Z-CFV-081	XFAL-020Z-TFC-081	XFAL-030Z-TFC-081	XFAL-035Z-CFV-081	XFAL-035Z-TFC-081	XFAL-040Z-CFV-081	XFAL-040Z-TFC-081	XFAL-050Z-TFC-081	XFAL-051Z-CFV-081	XFAL-060Z-TFC-081
510-7062-00	VALVE-ACCESS	910-7062-00	910-7062-00	910-7062-00	910-7062-00	910-7062-00	910-7062-00	910-7062-00	910-7062-00	910-7062-00	910-7062-00
010-7003-01	VALVE-CHECK	910-7003-01	910-7003-01	910-7003-01	910-7003-01	910-7003-01	910-7003-01	910-7003-01	910-7003-01	910-7003-01	910-7003-01
510-0894-00	VALVE-DTC GROUP										
010-0104-00	VALVE-EXV	910-0104-00	910-0104-00	910-0104-00	910-0104-00	910-0104-00	910-0104-00	910-0104-00	910-0104-00	910-0104-00	910-0104-00
510-0730-01	VALVE-HIGH PRESSURE	910-0730-00	910-0730-00	910-0730-00	910-0730-00	910-0730-00	910-0730-00	910-0730-00	910-0730-00	910-0730-00	910-0730-00
003-1220-00	VALVE-PLATE	903-1220-00	903-1220-00	903-1220-00	903-1220-00	903-1220-00	903-1220-00	903-1220-00	903-1220-00	903-1220-00	903-1220-00
010-0142-02	VALVE-SERVICE	910-0142-02	910-0142-02	910-0142-02	910-0142-02	910-0142-02	910-0142-02	910-0142-02	910-0142-02	910-0142-02	910-0142-02
010-0179-00	VALVE-SERVICE	910-7009-01	910-7009-01	910-7009-01	910-7009-01	910-7009-01	910-7009-01	910-7009-01	910-7009-01	910-7009-01	910-7009-01
010-0180-00	VALVE-SERVICE	910-0180-00	910-0180-00	910-0180-00	910-0180-00	910-0180-00	910-0180-00	910-0180-00	910-0180-00	910-0180-00	910-0180-00
ZXI06KCE-PFV-687	WELD COMP	ZXI06KCE-PFV-887									
ZXI06KCE-TF5-687	WELD COMP		ZXI06KCE-TF5-887								
ZXI09KCE-TF5-687	WELD COMP			ZXI09KCE-TF5-887							
ZXI11KCE-PFV-647	WELD COMP				ZXI11KCE-PFV-847						
ZXI11KCE-TF5-647	WELD COMP					ZXI11KCE-TF5-847					
ZXI14KCE-PFV-647	WELD COMP						ZXI14KCE-PFV-847				
ZXI14KCE-TF5-647	WELD COMP							ZXI14KCE-TF5-847			
ZXI15KCE-TF5-647	WELD COMP								ZXI15KCE-TF5-847		
ZXI16KCE-PFV-557	WELD COMP									ZXI16KCE-PFV-957	
ZXI18KCE-TF5-557	WELD COMP										ZXI18KCE-TF5-957
Accessories											
	Master Service Kit	980-0080-00	980-0080-00	980-0080-00	980-0080-00	980-0080-00	980-0080-00	980-0080-00	980-0080-00	980-0080-00	980-0080-00
	Wall Bracket	074-7286-00	074-7286-00	074-7286-00	074-7286-00	074-7286-00	074-7286-00	074-7286-00	074-7286-00	074-7286-00	074-7286-00
	Adjustable Stand	074-7289-00	074-7289-00	074-7289-00	074-7289-00	074-7289-00	074-7289-00	074-7289-00	074-7289-00	074-7289-00	074-7289-00
	CoreSense Communications Kit	943-0224-00	943-0224-00	943-0224-00	943-0224-00	943-0224-00	943-0224-00	943-0224-00	943-0224-00	943-0224-00	943-0224-00
	Remote Display - Controller	143-0023-00	143-0023-00	143-0023-00	143-0023-00	143-0023-00	143-0023-00	143-0023-00	143-0023-00	143-0023-00	143-0023-00

X-Line Service - Medium Temp

Production Part	Description	XFAM-008Z-CFV-081	XFAM-008Z-TFC-081	XFAM-010Z-CFV-081	XFAM-010Z-TFC-081	XFAM-012Z-CFV-081	XFAM-012Z-TFC-081	XFAM-015Z-CFV-081	XFAM-015Z-TFC-081	XFAM-017Z-CFV-081
022-0644-00	BASE-PLATE	922-0644-00	922-0644-00	922-0644-00	922-0644-00	922-0644-00	922-0644-00	922-0644-00	922-0644-00	922-0644-00
083-6931-00	BLADE	983-6931-00	983-6931-00	983-6931-00	983-6931-00	983-6931-00	983-6931-00	983-6931-00	983-6931-00	983-6931-00
062-7053-00	BOX-ELECTRICAL	062-7053-00	062-7053-00	062-7053-00	062-7053-00	062-7053-00	062-7053-00	062-7053-00	062-7053-00	062-7053-00
074-1205-00	BRACKET: STABILIZER TOP	074-1205-00	074-1205-00	074-1205-00	074-1205-00	074-1205-00	074-1205-00	074-1205-00	074-1205-00	074-1205-00
074-1207-01	BRACKET:EXV	074-1207-01	074-1207-01	074-1207-01	074-1207-01	074-1207-01	074-1207-01	074-1207-01	074-1207-01	074-1207-01
074-1424-00	BRACKET-CONTROL MTG	074-1424-00	074-1424-00	074-1424-00	074-1424-00	074-1424-00	074-1424-00	074-1424-00	074-1424-00	074-1424-00
074-1425-00	BRACKET-CONTROL MTG									
074-7284-00	BRACKET-COVER RIGHT	074-7284-00	074-7284-00	074-7284-00	074-7284-00	074-7284-00	074-7284-00	074-7284-00	074-7284-00	074-7284-00
071-7018-00	BREAKER-CIRCUIT	971-7018-00	971-7018-00	971-7018-00	971-7018-00	971-7018-00	971-7018-00	971-7018-00	971-7018-00	971-7018-00
529-0220-02	CABLE-AMBIENT SENSOR	529-0220-02	529-0220-02	529-0220-02	529-0220-02	529-0220-02	529-0220-02	529-0220-02	529-0220-02	529-0220-02
529-0220-00	CABLE-COND TEMP SENSOR	529-0220-00	529-0220-00	529-0220-00	529-0220-00	529-0220-00	529-0220-00	529-0220-00	529-0220-00	529-0220-00
529-0220-01	CABLE-DISCH TEMP SENSOR	529-0220-01	529-0220-01	529-0220-01	529-0220-01	529-0220-01	529-0220-01	529-0220-01	529-0220-01	529-0220-01
529-0220-09	CABLE-DISCH TEMP SENSOR									
529-0222-01	CABLE-WIRE HARNESS	529-0222-01	529-0222-01	529-0222-01	529-0222-01	529-0222-01	529-0222-01	529-0222-01	529-0222-01	529-0222-01
529-0222-02	CABLE-WIRE HARNESS									
014-0083-00	CAPACITOR-FAN	914-0083-00	914-0083-00	914-0083-00	914-0083-00	914-0083-00	914-0083-00	914-0083-00	914-0083-00	914-0083-00
014-0064-06	CAPACITOR-RUNNING							914-0037-10		914-0037-10
014-0064-07	CAPACITOR-RUNNING	914-0037-11		914-0037-11		914-0037-11				
014-0064-08	CAPACITOR-RUNNING									
014-0064-18	CAPACITOR-RUNNING									
014-0064-25	CAPACITOR-RUNNING									
014-0064-27	CAPACITOR-RUNNING									
014-0064-28	CAPACITOR-RUNNING									
014-0006-15	CAPACITOR-START									
014-0061-27	CAPACITOR-START	914-0036-03		914-0036-03		914-0036-03		914-0036-03		914-0036-03
032-0359-07	CLAMP-CAPACITOR	032-0359-07		032-0359-07		032-0359-07		032-0359-07		032-0359-07
032-0359-08	CLAMP-CAPACITOR	032-0359-08		032-0359-08		032-0359-08		032-0359-08		032-0359-08
032-0743-01	CLAMP-CAPACITOR	032-0743-01	032-0743-01	032-0743-01	032-0743-01	032-0743-01	032-0743-01	032-0743-01	032-0743-01	032-0743-01
032-7003-06	CLAMP-TUBE	032-7003-06	032-7003-06	032-7003-06	032-7003-06	032-7003-06	032-7003-06	032-7003-06	032-7003-06	032-7003-06
032-7053-00	CLAMP-TY RAP	032-7053-00	032-7053-00	032-7053-00	032-7053-00	032-7053-00	032-7053-00	032-7053-00	032-7053-00	032-7053-00
032-0688-02	CLIP-PIPE	032-0688-02	032-0688-02	032-0688-02	032-0688-02	032-0688-02	032-0688-02	032-0688-02	032-0688-02	032-0688-02
032-0731-00	CLIP-SENSOR	032-0731-00	032-0731-00	032-0731-00	032-0731-00	032-0731-00	032-0731-00	032-0731-00	032-0731-00	032-0731-00
023-0068-00	COIL-EXV									
023-0068-04	COIL-EXV	923-0068-00	923-0068-00	923-0068-00	923-0068-00	923-0068-00	923-0068-00	923-0068-00	923-0068-00	923-0068-00
066-0387-00	CONDENSER									
066-0388-00	CONDENSER									
066-0389-00	CONDENSER	066-0389-00	066-0389-00	066-0389-00	066-0389-00	066-0389-00	066-0389-00	066-0389-00	066-0389-00	066-0389-00
066-0393-00	CONDENSER									
066-0800-00	CONDENSER									
012-1401-04	CONTACTOR	912-1401-04		912-1401-04		912-1401-04		912-1401-04		912-1401-04
012-1401-06	CONTACTOR		012-1401-06		012-1401-06		012-1401-06		012-1401-06	
543-0214-00	CONTROLLER-ELECT. UNIT	943-0214-00	943-0214-00	943-0214-00	943-0214-00	943-0214-00	943-0214-00	943-0214-00	943-0214-00	943-0214-00
085-7031-06	CONTROL-PRESSURE	985-7031-06	985-7031-06	985-7031-06	985-7031-06	985-7031-06	985-7031-06	985-7031-06	985-7031-06	985-7031-06
005-7230-00	COVER-ELECTRICAL BOX	905-7230-00	905-7230-00	905-7230-00	905-7230-00	905-7230-00	905-7230-00	905-7230-00	905-7230-00	905-7230-00
005-7193-00	COVER-HANDLE	905-7193-00	905-7193-00	905-7193-00	905-7193-00	905-7193-00	905-7193-00	905-7193-00	905-7193-00	905-7193-00
005-1331-00	COVER-RIGHT	905-1331-00	905-1331-00	905-1331-00	905-1331-00	905-1331-00	905-1331-00	905-1331-00	905-1331-00	905-1331-00
005-1876-00	COVER-RIGHT									
005-1280-00	COVER-SENSOR	905-1280-00	905-1280-00	905-1280-00	905-1280-00	905-1280-00	905-1280-00	905-1280-00	905-1280-00	905-1280-00
005-1273-00	COVER-TOP	905-1273-00	905-1273-00	905-1273-00	905-1273-00	905-1273-00	905-1273-00	905-1273-00	905-1273-00	905-1273-00
518-0068-00	CRANKCASE HEATER ASSM.									
518-0068-01	CRANKCASE HEATER ASSM.									
518-0068-02	CRANKCASE HEATER ASSM.	518-0068-02	518-0068-02	518-0068-02	518-0068-02	518-0068-02	518-0068-02	518-0068-02	518-0068-02	518-0068-02
518-0068-03	CRANKCASE HEATER ASSM.									
505-7098-00	DOOR ASSEMBLY									
505-7099-00	DOOR ASSEMBLY	505-7099-00	505-7099-00	505-7099-00	505-7099-00	505-7099-00	505-7099-00	505-7099-00	505-7099-00	505-7099-00
013-7000-31	FILTER-DRIER	913-7000-31	913-7000-31	913-7000-31	913-7000-31	913-7000-31	913-7000-31	913-7000-31	913-7000-31	913-7000-31
024-0262-00	GUARD-COND COIL									
024-0263-00	GUARD-COND COIL	924-0263-00	924-0263-00	924-0263-00	924-0263-00	924-0263-00	924-0263-00	924-0263-00	924-0263-00	924-0263-00
024-0264-00	GUARD-FAN	924-0264-00	924-0264-00	924-0264-00	924-0264-00	924-0264-00	924-0264-00	924-0264-00	924-0264-00	924-0264-00
005-7193-01	HAND-GRIP	905-7193-01	905-7193-01	905-7193-01	905-7193-01	905-7193-01	905-7193-01	905-7193-01	905-7193-01	905-7193-01
018-0094-05	HEATER-CRANKCASE	918-0052-05	918-0052-05	918-0052-05	918-0052-05	918-0052-05	918-0052-05	918-0052-05	918-0052-05	918-0052-05

X-Line Service - Medium Temp

Production Part	Description	XFAM-008Z-CFV-081	XFAM-008Z-TFC-081	XFAM-010Z-CFV-081	XFAM-010Z-TFC-081	XFAM-012Z-CFV-081	XFAM-012Z-TFC-081	XFAM-015Z-CFV-081	XFAM-015Z-TFC-081	XFAM-017Z-CFV-081
018-0095-04	HEATER-CRANKCASE									
018-7013-00	HEATER-RECEIVER	918-0100-00	918-0100-00	918-0100-00	918-0100-00	918-0100-00	918-0100-00	918-0100-00	918-0100-00	918-0100-00
032-0592-00	HOLDER-SENSOR	032-0592-00	032-0592-00	032-0592-00	032-0592-00	032-0592-00	032-0592-00	032-0592-00	032-0592-00	032-0592-00
943-0039-00	HOTKEY PROGRAM GROUP	943-0039-00	943-0039-00	943-0039-00	943-0039-00	943-0039-00	943-0039-00	943-0039-00	943-0039-00	943-0039-00
570-7003-06	INDICATOR-MOISTURE	970-7003-06	970-7003-06	970-7003-06	970-7003-06	970-7003-06	970-7003-06	970-7003-06	970-7003-06	970-7003-06
052-7289-00	LABEL LOCK / UNLOCK	052-7289-00	052-7289-00	052-7289-00	052-7289-00	052-7289-00	052-7289-00	052-7289-00	052-7289-00	052-7289-00
050-0316-01	MOTOR-FAN	050-0316-01	050-0316-01	050-0316-01	050-0316-01	050-0316-01	050-0316-01	050-0316-01	050-0316-01	050-0316-01
101-7018-00	NUT-HEX	101-7018-00	101-7018-00	101-7018-00	101-7018-00	101-7018-00	101-7018-00	101-7018-00	101-7018-00	101-7018-00
003-1487-00	PLATE-DIVIDER	903-1487-00	903-1487-00	903-1487-00	903-1487-00	903-1487-00	903-1487-00	903-1487-00	903-1487-00	903-1487-00
003-1576-00	PLATE-DIVIDER									
005-7214-00	PLATE-FRONT LEFT									
005-7215-00	PLATE-FRONT LEFT	905-7215-00	905-7215-00	905-7215-00	905-7215-00	905-7215-00	905-7215-00	905-7215-00	905-7215-00	905-7215-00
529-0060-04	POWER CABLE-MOLDED PLUG	529-0060-04	529-0060-04	529-0060-04	529-0060-04	529-0060-04	529-0060-04	529-0060-04	529-0060-04	529-0060-04
529-0060-25	POWER CABLE-MOLDED PLUG									
577-0542-00	RECEIVER ASSEMBLY	577-0542-00	577-0542-00	577-0542-00	577-0542-00	577-0542-00	577-0542-00	577-0542-00	577-0542-00	577-0542-00
577-0542-01	RECEIVER ASSEMBLY									
040-0181-00	RELAY-DEFROST	940-0181-00	940-0181-00	940-0181-00	940-0181-00	940-0181-00	940-0181-00	940-0181-00	940-0181-00	940-0181-00
040-0166-37	RELAY-QUICK CONNECT	940-0001-79		940-0001-79		940-0001-79		940-0001-79		940-0001-79
080-0139-08	TERMINAL BLOCK	980-0139-08	980-0139-08	980-0139-08	980-0139-08	980-0139-08	980-0139-08	980-0139-08	980-0139-08	980-0139-08
080-0139-09	TERMINAL BLOCK	980-0139-09	980-0139-09	980-0139-09	980-0139-09	980-0139-09	980-0139-09	980-0139-09	980-0139-09	980-0139-09
580-0086-00	TERMINAL BLOCK ASSEMBLY	980-0086-00		980-0086-00		980-0086-00		980-0086-00		980-0086-00
580-0086-01	TERMINAL BLOCK ASSEMBLY		980-0086-01		980-0086-01		980-0086-01		980-0086-01	
039-0026-06	TRANSDUCER - PRESSURE	039-0026-06	039-0026-06	039-0026-06	039-0026-06	039-0026-06	039-0026-06	039-0026-06	039-0026-06	039-0026-06
037-0038-01	TRANSFORMER CONTROL	037-0038-01	037-0038-01	037-0038-01	037-0038-01	037-0038-01	037-0038-01	037-0038-01	037-0038-01	037-0038-01
510-7062-00	VALVE-ACCESS	910-7062-00	910-7062-00	910-7062-00	910-7062-00	910-7062-00	910-7062-00	910-7062-00	910-7062-00	910-7062-00
010-7003-01	VALVE-CHECK	910-7003-01	910-7003-01	910-7003-01	910-7003-01	910-7003-01	910-7003-01	910-7003-01	910-7003-01	910-7003-01
010-0104-00	VALVE-EXV	910-0104-00	910-0104-00	910-0104-00	910-0104-00	910-0104-00	910-0104-00	910-0104-00	910-0104-00	910-0104-00
510-0730-01	VALVE-HIGH PRESSURE	910-0730-00	910-0730-00	910-0730-00	910-0730-00	910-0730-00	910-0730-00	910-0730-00	910-0730-00	910-0730-00
003-1220-00	VALVE-PLATE	903-1220-00	903-1220-00	903-1220-00	903-1220-00	903-1220-00	903-1220-00	903-1220-00	903-1220-00	903-1220-00
010-0142-02	VALVE-SERVICE	910-0142-02	910-0142-02	910-0142-02	910-0142-02	910-0142-02	910-0142-02	910-0142-02	910-0142-02	910-0142-02
010-0179-00	VALVE-SERVICE	910-7009-01	910-7009-01	910-7009-01	910-7009-01	910-7009-01	910-7009-01	910-7009-01	910-7009-01	910-7009-01
010-0180-00	VALVE-SERVICE	910-0180-00	910-0180-00	910-0180-00	910-0180-00	910-0180-00	910-0180-00	910-0180-00	910-0180-00	910-0180-00
ZB06KAE-PFV-118	WELD COMP	ZB06KAE-PFV-818								
ZB06KAE-TF5-118	WELD COMP		ZB06KAE-TF5-818							
ZB07KAE-PFV-118	WELD COMP			ZB07KAE-PFV-818						
ZB07KAE-TF5-118	WELD COMP				ZB07KAE-TF5-818					
ZB08KAE-PFV-118	WELD COMP					ZB08KAE-PFV-818				
ZB08KAE-TF5-118	WELD COMP						ZB08KAE-TF5-818			
ZS09KAE-PFV-118	WELD COMP							ZS09KAE-PFV-818		
ZS09KAE-TF5-118	WELD COMP								ZS09KAE-TF5-818	
ZS11KAE-PFV-118	WELD COMP									ZS11KAE-PFV-818
Accessories										
	Master Service Kit	980-0080-00	980-0080-00	980-0080-00	980-0080-00	980-0080-00	980-0080-00	980-0080-00	980-0080-00	980-0080-00
	Wall Bracket	074-7286-00	074-7286-00	074-7286-00	074-7286-00	074-7286-00	074-7286-00	074-7286-00	074-7286-00	074-7286-00
	Adjustable Stand	074-7289-00	074-7289-00	074-7289-00	074-7289-00	074-7289-00	074-7289-00	074-7289-00	074-7289-00	074-7289-00
	CoreSense Communications Kit	943-0224-00	943-0224-00	943-0224-00	943-0224-00	943-0224-00	943-0224-00	943-0224-00	943-0224-00	943-0224-00
	Remote Display - Controller	143-0023-00	143-0023-00	143-0023-00	143-0023-00	143-0023-00	143-0023-00	143-0023-00	143-0023-00	143-0023-00

X-Line Service - Medium Temp

Production Part	Description	XFAM-017Z-TFC-081	XFAM-020Z-CFV-081	XFAM-020Z-TFC-081	XFAM-022Z-CFV-081	XFAM-022Z-TFC-081	XFAM-025Z-CFV-081	XFAM-025Z-TFC-081	XFAM-030Z-CFV-081	XFAM-030Z-TFC-081
							918-0043-00	918-0043-00		
918-0100-00	918-0100-00	918-0100-00	918-0100-00	918-0100-00	918-0100-00	918-0100-00	918-0100-00	918-0100-00		
032-0592-00	032-0592-00	032-0592-00	032-0592-00	032-0592-00	032-0592-00	032-0592-00	032-0592-00	032-0592-00		
943-0039-00	943-0039-00	943-0039-00	943-0039-00	943-0039-00	943-0039-00	943-0039-00	943-0039-00	943-0039-00		
970-7003-06	970-7003-06	970-7003-06	970-7003-06	970-7003-06	970-7003-06	970-7003-06	970-7003-06	970-7003-06		
052-7289-00	052-7289-00	052-7289-00	052-7289-00	052-7289-00	052-7289-00	052-7289-00	052-7289-00	052-7289-00		
050-0316-01	050-0316-01	050-0316-01	050-0316-01	050-0316-01	050-0316-01	050-0316-01	050-0316-01	050-0316-01		
101-7018-00	101-7018-00	101-7018-00	101-7018-00	101-7018-00	101-7018-00	101-7018-00	101-7018-00	101-7018-00		
903-1487-00	903-1487-00	903-1487-00	903-1487-00	903-1487-00	903-1487-00	903-1487-00	903-1487-00	903-1487-00		
905-7215-00	905-7215-00	905-7215-00	905-7215-00	905-7215-00	905-7215-00	905-7215-00	905-7215-00	905-7215-00		
529-0060-04	529-0060-04	529-0060-04	529-0060-04	529-0060-04	529-0060-04	529-0060-04	529-0060-04	529-0060-04		
577-0542-00	577-0542-00	577-0542-00	577-0542-00	577-0542-00	577-0542-00	577-0542-00	577-0542-00	577-0542-00		
940-0181-00	940-0181-00	940-0181-00	940-0181-00	940-0181-00	940-0181-00	940-0181-00	940-0181-00	940-0181-00		
	940-0001-79		940-0001-79		940-0001-79		940-0001-79			
980-0139-08	980-0139-08	980-0139-08	980-0139-08	980-0139-08	980-0139-08	980-0139-08	980-0139-08	980-0139-08		
980-0139-09	980-0139-09	980-0139-09	980-0139-09	980-0139-09	980-0139-09	980-0139-09	980-0139-09	980-0139-09		
	980-0086-00		980-0086-00		980-0086-00		980-0086-00			
980-0086-01		980-0086-01		980-0086-01		980-0086-01		980-0086-01		
039-0026-06	039-0026-06	039-0026-06	039-0026-06	039-0026-06	039-0026-06	039-0026-06	039-0026-06	039-0026-06		
037-0038-01	037-0038-01	037-0038-01	037-0038-01	037-0038-01	037-0038-01	037-0038-01	037-0038-01	037-0038-01		
910-7062-00	910-7062-00	910-7062-00	910-7062-00	910-7062-00	910-7062-00	910-7062-00	910-7062-00	910-7062-00		
910-7003-01	910-7003-01	910-7003-01	910-7003-01	910-7003-01	910-7003-01	910-7003-01	910-7003-01	910-7003-01		
910-0104-00	910-0104-00	910-0104-00	910-0104-00	910-0104-00	910-0104-00	910-0104-00	910-0104-00	910-0104-00		
910-0730-00	910-0730-00	910-0730-00	910-0730-00	910-0730-00	910-0730-00	910-0730-00	910-0730-00	910-0730-00		
903-1220-00	903-1220-00	903-1220-00	903-1220-00	903-1220-00	903-1220-00	903-1220-00	903-1220-00	903-1220-00		
910-0142-02	910-0142-02	910-0142-02	910-0142-02	910-0142-02	910-0142-02	910-0142-02	910-0142-02	910-0142-02		
910-7009-01	910-7009-01	910-7009-01	910-7009-01	910-7009-01	910-7009-01	910-7009-01	910-7009-01	910-7009-01		
910-0180-00	910-0180-00	910-0180-00	910-0180-00	910-0180-00	910-0180-00	910-0180-00	910-0180-00	910-0180-00		
ZS11KAE-TF5-118	WELD COMP	ZS11KAE-TF5-818								
ZS13KAE-PFV-118	WELD COMP		ZS13KAE-PFV-818							
ZS13KAE-TF5-118	WELD COMP			ZS13KAE-TF5-818						
ZS15KAE-PFV-118	WELD COMP				ZS15KAE-PFV-818					
ZS15KAE-TF5-118	WELD COMP					ZS15KAE-TF5-818				
ZS19KAE-PFV-118	WELD COMP						ZS19KAE-PFV-818			
ZS19KAE-TF5-118	WELD COMP							ZS19KAE-TF5-818		
ZS21KAE-PFV-118	WELD COMP								ZS21KAE-PFV-818	
ZS21KAE-TF5-118	WELD COMP									ZS21KAE-TF5-818

X-Line Service - Medium Temp

Production Part	Description	XFAM-033Z-CFV-081	XFAM-033Z-TFC-081	XFAM-037Z-CFV-081	XFAM-037Z-TFC-081	XFAM-045Z-CFV-081	XFAM-045Z-TFC-081	XFAM-050Z-CFV-081	XFAM-050Z-TFC-081	XFAM-060Z-TFC-081
022-0644-00	BASE-PLATE	922-0644-00	922-0644-00	922-0644-00	922-0644-00	922-0644-00	922-0644-00	922-0644-00	922-0644-00	922-0644-00
083-6931-00	BLADE	983-6931-00	983-6931-00	983-6931-00	983-6931-00	983-6931-00	983-6931-00	983-6931-00	983-6931-00	983-6931-00
062-7053-00	BOX-ELECTRICAL	062-7053-00	062-7053-00	062-7053-00	062-7053-00	062-7053-00	062-7053-00	062-7053-00	062-7053-00	062-7053-00
074-1205-00	BRACKET: STABILIZER TOP	074-1205-00	074-1205-00	074-1205-00	074-1205-00	074-1205-00	074-1205-00	074-1205-00	074-1205-00	074-1205-00
074-1207-01	BRACKET:EXV	074-1207-01	074-1207-01	074-1207-01	074-1207-01	074-1207-01	074-1207-01	074-1207-01	074-1207-01	074-1207-01
074-1424-00	BRACKET-CONTROL MTG	074-1424-00	074-1424-00	074-1424-00	074-1424-00					
074-1425-00	BRACKET-CONTROL MTG					074-1425-00	074-1425-00	074-1425-00	074-1425-00	074-1425-00
074-7284-00	BRACKET-COVER RIGHT	074-7284-00	074-7284-00	074-7284-00	074-7284-00	074-7284-00	074-7284-00	074-7284-00	074-7284-00	074-7284-00
071-7018-00	BREAKER-CIRCUIT	971-7018-00	971-7018-00	971-7018-00	971-7018-00	971-7018-00	971-7018-00	971-7018-00	971-7018-00	971-7018-00
529-0220-02	CABLE-AMBIENT SENSOR	529-0220-02	529-0220-02	529-0220-02	529-0220-02	529-0220-02	529-0220-02	529-0220-02	529-0220-02	529-0220-02
529-0220-00	CABLE-COND TEMP SENSOR	529-0220-00	529-0220-00	529-0220-00	529-0220-00	529-0220-00	529-0220-00	529-0220-00	529-0220-00	529-0220-00
529-0220-01	CABLE-DISCH TEMP SENSOR	529-0220-01	529-0220-01	529-0220-01	529-0220-01					
529-0220-09	CABLE-DISCH TEMP SENSOR					529-0220-09	529-0220-09	529-0220-09	529-0220-09	529-0220-09
529-0222-01	CABLE-WIRE HARNESS	529-0222-01	529-0222-01	529-0222-01	529-0222-01					
529-0222-02	CABLE-WIRE HARNESS					529-0222-02	529-0222-02	529-0222-02	529-0222-02	529-0222-02
014-0083-00	CAPACITOR-FAN	914-0083-00	914-0083-00	914-0083-00	914-0083-00	914-0083-00	914-0083-00	914-0083-00	914-0083-00	914-0083-00
014-0064-06	CAPACITOR-RUNNING									
014-0064-07	CAPACITOR-RUNNING									
014-0064-08	CAPACITOR-RUNNING									
014-0064-18	CAPACITOR-RUNNING			914-0037-22						
014-0064-25	CAPACITOR-RUNNING									
014-0064-27	CAPACITOR-RUNNING					914-0037-38		914-0037-38		
014-0064-28	CAPACITOR-RUNNING	914-0037-39								
014-0006-15	CAPACITOR-START							914-0006-10		
014-0061-27	CAPACITOR-START	914-0036-03		914-0036-03		914-0036-03				
032-0359-07	CLAMP-CAPACITOR									
032-0359-08	CLAMP-CAPACITOR	032-0359-08		032-0359-08						
032-0743-01	CLAMP-CAPACITOR	032-0743-01	032-0743-01	032-0743-01	032-0743-01	032-0743-01	032-0743-01	032-0743-01	032-0743-01	032-0743-01
032-7003-06	CLAMP-TUBE	032-7003-06	032-7003-06	032-7003-06	032-7003-06	032-7003-06	032-7003-06	032-7003-06	032-7003-06	032-7003-06
032-7053-00	CLAMP-TY RAP	032-7053-00	032-7053-00	032-7053-00	032-7053-00	032-7053-00	032-7053-00	032-7053-00	032-7053-00	032-7053-00
032-0688-02	CLIP-PIPE	032-0688-02	032-0688-02	032-0688-02	032-0688-02	032-0688-02	032-0688-02	032-0688-02	032-0688-02	032-0688-02
032-0731-00	CLIP-SENSOR	032-0731-00	032-0731-00	032-0731-00	032-0731-00	032-0731-00	032-0731-00	032-0731-00	032-0731-00	032-0731-00
023-0068-00	COIL-EXV					023-0068-00	023-0068-00	023-0068-00	023-0068-00	023-0068-00
023-0068-04	COIL-EXV	923-0068-00	923-0068-00	923-0068-00	923-0068-00					
066-0387-00	CONDENSER							066-0387-00	066-0387-00	
066-0388-00	CONDENSER					066-0388-00	066-0388-00			
066-0389-00	CONDENSER									
066-0393-00	CONDENSER									066-0393-00
066-0800-00	CONDENSER	066-0800-00	066-0800-00	066-0800-00	066-0800-00					
012-1401-04	CONTACTOR	912-1401-04		912-1401-04		912-1401-04		912-1401-04		
012-1401-06	CONTACTOR		012-1401-06		012-1401-06		012-1401-06		012-1401-06	012-1401-06
543-0214-00	CONTROLLER-ELECT. UNIT	943-0214-00	943-0214-00	943-0214-00	943-0214-00	943-0214-00	943-0214-00	943-0214-00	943-0214-00	943-0214-00
085-7031-06	CONTROL-PRESSURE	985-7031-06	985-7031-06	985-7031-06	985-7031-06	985-7031-06	985-7031-06	985-7031-06	985-7031-06	985-7031-06
005-7230-00	COVER-ELECTRICAL BOX	905-7230-00	905-7230-00	905-7230-00	905-7230-00	905-7230-00	905-7230-00	905-7230-00	905-7230-00	905-7230-00
005-7193-00	COVER-HANDLE	905-7193-00	905-7193-00	905-7193-00	905-7193-00	905-7193-00	905-7193-00	905-7193-00	905-7193-00	905-7193-00
005-1331-00	COVER-RIGHT	905-1331-00	905-1331-00	905-1331-00	905-1331-00					
005-1876-00	COVER-RIGHT					005-1876-00	005-1876-00	005-1876-00	005-1876-00	005-1876-00
005-1280-00	COVER-SENSOR	905-1280-00	905-1280-00	905-1280-00	905-1280-00	905-1280-00	905-1280-00	905-1280-00	905-1280-00	905-1280-00
005-1273-00	COVER-TOP	905-1273-00	905-1273-00	905-1273-00	905-1273-00	905-1273-00	905-1273-00	905-1273-00	905-1273-00	905-1273-00
518-0068-00	CRANKCASE HEATER ASSM.	518-0068-00	518-0068-00	518-0068-00	518-0068-00					
518-0068-01	CRANKCASE HEATER ASSM.					518-0068-01	518-0068-01		518-0068-01	518-0068-01
518-0068-02	CRANKCASE HEATER ASSM.									
518-0068-03	CRANKCASE HEATER ASSM.							518-0068-03		
505-7098-00	DOOR ASSEMBLY					505-7098-00	505-7098-00	505-7098-00	505-7098-00	505-7098-00
505-7099-00	DOOR ASSEMBLY	505-7099-00	505-7099-00	505-7099-00	505-7099-00					
013-7000-31	FILTER-DRIER	913-7000-31	913-7000-31	913-7000-31	913-7000-31	913-7000-31	913-7000-31	913-7000-31	913-7000-31	913-7000-31
024-0262-00	GUARD-COND COIL					924-0262-00	924-0262-00	924-0262-00	924-0262-00	924-0262-00
024-0263-00	GUARD-COND COIL	924-0263-00	924-0263-00	924-0263-00	924-0263-00					
024-0264-00	GUARD-FAN	924-0264-00	924-0264-00	924-0264-00	924-0264-00	924-0264-00	924-0264-00	924-0264-00	924-0264-00	924-0264-00
005-7193-01	HAND-GRIP	905-7193-01	905-7193-01	905-7193-01	905-7193-01	905-7193-01	905-7193-01	905-7193-01	905-7193-01	905-7193-01
018-0094-05	HEATER-CRANKCASE									

X-Line Service - Medium Temp

Production Part	Description	XFAM-033Z-CFV-081	XFAM-033Z-TFC-081	XFAM-037Z-CFV-081	XFAM-037Z-TFC-081	XFAM-045Z-CFV-081	XFAM-045Z-TFC-081	XFAM-050Z-CFV-081	XFAM-050Z-TFC-081	XFAM-060Z-TFC-081
018-0095-04	HEATER-CRANKCASE	918-0043-00	918-0043-00	918-0043-00	918-0043-00	918-0043-00	918-0043-00	918-0043-00	918-0043-00	918-0043-00
018-7013-00	HEATER-RECEIVER	918-0100-00	918-0100-00	918-0100-00	918-0100-00	918-0100-00	918-0100-00	918-0100-00	918-0100-00	918-0100-00
032-0592-00	HOLDER-SENSOR	032-0592-00	032-0592-00	032-0592-00	032-0592-00	032-0592-00	032-0592-00	032-0592-00	032-0592-00	032-0592-00
943-0039-00	HOTKEY PROGRAM GROUP	943-0039-00	943-0039-00	943-0039-00	943-0039-00	943-0039-00	943-0039-00	943-0039-00	943-0039-00	943-0039-00
570-7003-06	INDICATOR-MOISTURE	970-7003-06	970-7003-06	970-7003-06	970-7003-06	970-7003-06	970-7003-06	970-7003-06	970-7003-06	970-7003-06
052-7289-00	LABEL LOCK / UNLOCK	052-7289-00	052-7289-00	052-7289-00	052-7289-00	052-7289-00	052-7289-00	052-7289-00	052-7289-00	052-7289-00
050-0316-01	MOTOR-FAN	050-0316-01	050-0316-01	050-0316-01	050-0316-01	050-0316-01	050-0316-01	050-0316-01	050-0316-01	050-0316-01
101-7018-00	NUT-HEX	101-7018-00	101-7018-00	101-7018-00	101-7018-00	101-7018-00	101-7018-00	101-7018-00	101-7018-00	101-7018-00
003-1487-00	PLATE-DIVIDER	903-1487-00	903-1487-00	903-1487-00	903-1487-00					
003-1576-00	PLATE-DIVIDER					903-1576-00	903-1576-00	903-1576-00	903-1576-00	903-1576-00
005-7214-00	PLATE-FRONT LEFT					905-7214-00	905-7214-00	905-7214-00	905-7214-00	905-7214-00
005-7215-00	PLATE-FRONT LEFT	905-7215-00	905-7215-00	905-7215-00	905-7215-00					
529-0060-04	POWER CABLE-MOLDED PLUG	529-0060-04	529-0060-04	529-0060-04	529-0060-04					
529-0060-25	POWER CABLE-MOLDED PLUG					529-0060-25	529-0060-25			
577-0542-00	RECEIVER ASSEMBLY	577-0542-00	577-0542-00	577-0542-00	577-0542-00					
577-0542-01	RECEIVER ASSEMBLY					577-0542-01	577-0542-01	577-0542-01	577-0542-01	577-0542-01
040-0181-00	RELAY-DEFROST	940-0181-00	940-0181-00	940-0181-00	940-0181-00	940-0181-00	940-0181-00	940-0181-00	940-0181-00	940-0181-00
040-0166-37	RELAY-QUICK CONNECT	940-0001-79		940-0001-79		940-0001-79		940-0001-79		
080-0139-08	TERMINAL BLOCK	980-0139-08	980-0139-08	980-0139-08	980-0139-08	980-0139-08	980-0139-08	980-0139-08	980-0139-08	980-0139-08
080-0139-09	TERMINAL BLOCK	980-0139-09	980-0139-09	980-0139-09	980-0139-09	980-0139-09	980-0139-09	980-0139-09	980-0139-09	980-0139-09
580-0086-00	TERMINAL BLOCK ASSEMBLY	980-0086-00		980-0086-00		980-0086-00		980-0086-00		
580-0086-01	TERMINAL BLOCK ASSEMBLY		980-0086-01		980-0086-01		980-0086-01		980-0086-01	980-0086-01
039-0026-06	TRANSDUCER - PRESSURE	039-0026-06	039-0026-06	039-0026-06	039-0026-06	039-0026-06	039-0026-06	039-0026-06	039-0026-06	039-0026-06
037-0038-01	TRANSFORMER CONTROL	037-0038-01	037-0038-01	037-0038-01	037-0038-01	037-0038-01	037-0038-01	037-0038-01	037-0038-01	037-0038-01
510-7062-00	VALVE-ACCESS	910-7062-00	910-7062-00	910-7062-00	910-7062-00	910-7062-00	910-7062-00	910-7062-00	910-7062-00	910-7062-00
010-7003-01	VALVE-CHECK	910-7003-01	910-7003-01	910-7003-01	910-7003-01	910-7003-01	910-7003-01	910-7003-01	910-7003-01	910-7003-01
010-0104-00	VALVE-EXV	910-0104-00	910-0104-00	910-0104-00	910-0104-00	910-0104-00	910-0104-00	910-0104-00	910-0104-00	910-0104-00
510-0730-01	VALVE-HIGH PRESSURE	910-0730-00	910-0730-00	910-0730-00	910-0730-00	910-0730-00	910-0730-00	910-0730-00	910-0730-00	910-0730-00
003-1220-00	VALVE-PLATE	903-1220-00	903-1220-00	903-1220-00	903-1220-00	903-1220-00	903-1220-00	903-1220-00	903-1220-00	903-1220-00
010-0142-02	VALVE-SERVICE	910-0142-02	910-0142-02	910-0142-02	910-0142-02	910-0142-02	910-0142-02	910-0142-02	910-0142-02	910-0142-02
010-0179-00	VALVE-SERVICE	910-7009-01	910-7009-01	910-7009-01	910-7009-01	910-7009-01	910-7009-01	910-7009-01	910-7009-01	910-7009-01
010-0180-00	VALVE-SERVICE	910-0180-00	910-0180-00	910-0180-00	910-0180-00	910-0180-00	910-0180-00	910-0180-00	910-0180-00	910-0180-00
ZS26KAE-PFV-118	WELD COMP	ZS26KAE-PFV-818								
ZS26KAE-TF5-118	WELD COMP		ZS26KAE-TF5-818							
ZS29KAE-PFV-118	WELD COMP			ZS29KAE-PFV-818						
ZS29KAE-TF5-118	WELD COMP				ZS29KAE-TF5-818					
ZS33KAE-PFV-118	WELD COMP					ZS33KAE-PFV-818				
ZS33KAE-TF5-118	WELD COMP						ZS33KAE-TF5-818			
ZS38K4E-PFV-250	WELD COMP							ZS38K4E-PFV-950		
ZS38K4E-TF5-250	WELD COMP								ZS38K4E-TF5-950	
ZS45K4E-TF5-250	WELD COMP									ZS45K4E-TF5-950

X-Line Service - Extended Medium Temp

Production Part	Description	XFAP-015Z-CFV-081	XFAP-015Z-TFC-081	XFAP-017Z-CFV-081	XFAP-017Z-TFC-081	XFAP-020Z-CFV-081	XFAP-020Z-TFC-081	XFAP-022Z-CFV-081	XFAP-022Z-TFC-081
022-0644-00	BASE-PLATE	922-0644-00	922-0644-00	922-0644-00	922-0644-00	922-0644-00	922-0644-00	922-0644-00	922-0644-00
083-6931-00	BLADE	983-6931-00	983-6931-00	983-6931-00	983-6931-00	983-6931-00	983-6931-00	983-6931-00	983-6931-00
062-7053-00	BOX-ELECTRICAL	062-7053-00	062-7053-00	062-7053-00	062-7053-00	062-7053-00	062-7053-00	062-7053-00	062-7053-00
074-1207-01	BRACKET:EXV	074-1207-01	074-1207-01	074-1207-01	074-1207-01	074-1207-01	074-1207-01	074-1207-01	074-1207-01
074-1205-00	BRACKET:STABILIZER TOP	074-1205-00	074-1205-00	074-1205-00	074-1205-00	074-1205-00	074-1205-00	074-1205-00	074-1205-00
074-1424-00	BRACKET-CONTROL MTG	074-1424-00	074-1424-00	074-1424-00	074-1424-00	074-1424-00	074-1424-00	074-1424-00	074-1424-00
074-1425-00	BRACKET-CONTROL MTG								
074-7284-00	BRACKET-COVER RIGHT	074-7284-00	074-7284-00	074-7284-00	074-7284-00	074-7284-00	074-7284-00	074-7284-00	074-7284-00
074-7282-00	BRACKET-MOUNTING	074-7282-00	074-7282-00	074-7282-00	074-7282-00	074-7282-00	074-7282-00	074-7282-00	074-7282-00
071-7018-00	BREAKER-CIRCUIT	971-7018-00	971-7018-00	971-7018-00	971-7018-00	971-7018-00	971-7018-00	971-7018-00	971-7018-00
529-0220-02	CABLE AMBIENT SENSOR	529-0220-02	529-0220-02	529-0220-02	529-0220-02	529-0220-02	529-0220-02	529-0220-02	529-0220-02
529-0220-00	CABLE-COND TEMP SENSOR	529-0220-00	529-0220-00	529-0220-00	529-0220-00	529-0220-00	529-0220-00	529-0220-00	529-0220-00
529-0220-01	CABLE-DISCH TEMP SENSOR	529-0220-01	529-0220-01	529-0220-01	529-0220-01	529-0220-01	529-0220-01	529-0220-01	529-0220-01
529-0220-09	CABLE-DISCH TEMP SENSOR								
529-0114-08	CABLE-SENSOR ASSEMBLY	529-0114-08	529-0114-08	529-0114-08	529-0114-08	529-0114-08	529-0114-08	529-0114-08	529-0114-08
529-0222-01	CABLE-WIRE HARNESS	529-0222-01	529-0222-01	529-0222-01	529-0222-01	529-0222-01	529-0222-01	529-0222-01	529-0222-01
529-0222-02	CABLE-WIRE HARNESS								
014-0083-00	CAPACITOR-FAN	914-0083-00	914-0083-00	914-0083-00	914-0083-00	914-0083-00	914-0083-00	914-0083-00	914-0083-00
014-0064-06	CAPACITOR-RUNNING	914-0037-10		914-0037-10					
014-0064-07	CAPACITOR-RUNNING					914-0037-11			
014-0064-08	CAPACITOR-RUNNING						914-0037-12		
014-0064-18	CAPACITOR-RUNNING								
014-0064-25	CAPACITOR-RUNNING								
014-0064-27	CAPACITOR-RUNNING								
014-0064-28	CAPACITOR-RUNNING								
014-0006-15	CAPACITOR-START								
014-0061-27	CAPACITOR-START	914-0036-03		914-0036-03		914-0036-03		914-0036-03	
032-0359-07	CLAMP-CAPACITOR	032-0359-07		032-0359-07		032-0359-07		032-0359-07	
032-0359-08	CLAMP-CAPACITOR	032-0359-08		032-0359-08		032-0359-08		032-0359-08	
032-0743-01	CLAMP-CAPACITOR	032-0743-01	032-0743-01	032-0743-01	032-0743-01	032-0743-01	032-0743-01	032-0743-01	032-0743-01
032-7003-06	CLAMP-TUBE	032-7003-06	032-7003-06	032-7003-06	032-7003-06	032-7003-06	032-7003-06	032-7003-06	032-7003-06
032-7053-00	CLAMP-TY RAP	062-7053-00	062-7053-00	062-7053-00	062-7053-00	062-7053-00	062-7053-00	062-7053-00	062-7053-00
032-0688-02	CLIP-PIPE	032-0688-02	032-0688-02	032-0688-02	032-0688-02	032-0688-02	032-0688-02	032-0688-02	032-0688-02
032-0731-00	CLIP-SENSOR	032-0731-00	032-0731-00	032-0731-00	032-0731-00	032-0731-00	032-0731-00	032-0731-00	032-0731-00
023-0068-00	COIL-EXV								
023-0068-04	COIL-EXV	923-0068-00	923-0068-00	923-0068-00	923-0068-00	923-0068-00	923-0068-00	923-0068-00	923-0068-00
066-0387-00	CONDENSER								
066-0388-00	CONDENSER								
066-0389-00	CONDENSER	066-0389-00	066-0389-00	066-0389-00	066-0389-00			066-0389-00	066-0389-00
066-0393-00	CONDENSER								
066-0800-00	CONDENSER					066-0800-00	066-0800-00		
012-1401-04	CONTACTOR	912-1401-04		912-1401-04		912-1401-04		912-1401-04	
012-1401-06	CONTACTOR		012-1401-06		012-1401-06		012-1401-06		012-1401-06
543-0214-00	CONTROLLER-ELECT. UNIT	943-0214-00	943-0214-00	943-0214-00	943-0214-00	943-0214-00	943-0214-00	943-0214-00	943-0214-00
085-7031-06	CONTROL-PRESSURE	985-7031-06	985-7031-06	985-7031-06	985-7031-06	985-7031-06	985-7031-06	985-7031-06	985-7031-06
005-7230-00	COVER-ELECTRICAL BOX	905-7230-00	905-7230-00	905-7230-00	905-7230-00	905-7230-00	905-7230-00	905-7230-00	905-7230-00
005-7193-00	COVER-HANDLE	905-7193-00	905-7193-00	905-7193-00	905-7193-00	905-7193-00	905-7193-00	905-7193-00	905-7193-00
005-1331-00	COVER-RIGHT	905-1331-00	905-1331-00	905-1331-00	905-1331-00	905-1331-00	905-1331-00	905-1331-00	905-1331-00
005-1876-00	COVER-RIGHT								
005-1280-00	COVER-SENSOR	905-1280-00	905-1280-00	905-1280-00	905-1280-00	905-1280-00	905-1280-00	905-1280-00	905-1280-00
005-1273-00	COVER-TOP	905-1273-00	905-1273-00	905-1273-00	905-1273-00	905-1273-00	905-1273-00	905-1273-00	905-1273-00
518-0068-00	CRANKCASE HEATER ASSM.					518-0068-00	518-0068-00		
518-0068-01	CRANKCASE HEATER ASSM.								
518-0068-02	CRANKCASE HEATER ASSM.	518-0068-02	518-0068-02	518-0068-02	518-0068-02			518-0068-02	518-0068-02
518-0068-03	CRANKCASE HEATER ASSM.								
505-7098-00	DOOR ASSEMBLY								
505-7099-00	DOOR ASSEMBLY	505-7099-00	505-7099-00	505-7099-00	505-7099-00	505-7099-00	505-7099-00	505-7099-00	505-7099-00
013-7000-31	FILTER-DRIER	913-7000-31	913-7000-31	913-7000-31	913-7000-31	913-7000-31	913-7000-31	913-7000-31	913-7000-31
024-0262-00	GUARD-COND COIL								
024-0263-00	GUARD-COND COIL	924-0263-00	924-0263-00	924-0263-00	924-0263-00	924-0263-00	924-0263-00	924-0263-00	924-0263-00
024-0264-00	GUARD-FAN	924-0264-00	924-0264-00	924-0264-00	924-0264-00	924-0264-00	924-0264-00	924-0264-00	924-0264-00

X-Line Service - Extended Medium Temp

Production Part	Description	XFAP-015Z-CFV-081	XFAP-015Z-TFC-081	XFAP-017Z-CFV-081	XFAP-017Z-TFC-081	XFAP-020Z-CFV-081	XFAP-020Z-TFC-081	XFAP-022Z-CFV-081	XFAP-022Z-TFC-081
005-7193-01	HAND-GRIP	905-7193-01	905-7193-01	905-7193-01	905-7193-01	905-7193-01	905-7193-01	905-7193-01	905-7193-01
905-1280-00	HAND-WIDE GRIP KIT	905-1280-00	905-1280-00	905-1280-00	905-1280-00	905-1280-00	905-1280-00	905-1280-00	905-1280-00
018-0094-05	HEATER-CRANKCASE	918-0052-05	918-0052-05	918-0052-05	918-0052-05			918-0052-05	918-0052-05
018-0095-04	HEATER-CRANKCASE					918-0043-00	918-0043-00		
018-7013-00	HEATER-RECEIVER	918-0100-00	918-0100-00	918-0100-00	918-0100-00	918-0100-00	918-0100-00	918-0100-00	918-0100-00
032-0592-00	HOLDER-SENSOR	032-0592-00	032-0592-00	032-0592-00	032-0592-00	032-0592-00	032-0592-00	032-0592-00	032-0592-00
943-0039-00	HOTKEY PROGRAM GROUP	943-0039-00	943-0039-00	943-0039-00	943-0039-00	943-0039-00	943-0039-00	943-0039-00	943-0039-00
570-7003-06	INDICATOR-MOISTURE	970-7003-06	970-7003-06	970-7003-06	970-7003-06	970-7003-06	970-7003-06	970-7003-06	970-7003-06
052-7289-00	LABEL LOCK / UNLOCK	052-7289-00	052-7289-00	052-7289-00	052-7289-00	052-7289-00	052-7289-00	052-7289-00	052-7289-00
050-0316-01	MOTOR-FAN	050-0316-01	050-0316-01	050-0316-01	050-0316-01	050-0316-01	050-0316-01	050-0316-01	050-0316-01
101-7018-00	NUT-HEX	101-7018-00	101-7018-00	101-7018-00	101-7018-00	101-7018-00	101-7018-00	101-7018-00	101-7018-00
003-1487-00	PLATE-DIVIDER	903-1487-00	903-1487-00	903-1487-00	903-1487-00	903-1487-00	903-1487-00	903-1487-00	903-1487-00
003-1576-00	PLATE-DIVIDER								
005-7214-00	PLATE-FRONT LEFT								
005-7215-00	PLATE-FRONT LEFT	905-7215-00	905-7215-00	905-7215-00	905-7215-00	905-7215-00	905-7215-00	905-7215-00	905-7215-00
529-0060-04	POWER CABLE-MOLDED PLUG	529-0060-04	529-0060-04	529-0060-04	529-0060-04	529-0060-04	529-0060-04	529-0060-04	529-0060-04
529-0060-25	POWER CABLE-MOLDED PLUG								
577-0542-00	RECEIVER ASSEMBLY	577-0542-00	577-0542-00	577-0542-00	577-0542-00	577-0542-00	577-0542-00	577-0542-00	577-0542-00
577-0542-01	RECEIVER ASSEMBLY								
040-0181-00	RELAY-DEFROST	940-0181-00	940-0181-00	940-0181-00	940-0181-00	940-0181-00	940-0181-00	940-0181-00	940-0181-00
040-0166-37	RELAY-QUICK CONNECT	940-0001-79		940-0001-79		940-0001-79		940-0001-79	
100-7034-00	SCREW-AMBIENT HOLDER	100-7034-00	100-7034-00	100-7034-00	100-7034-00	100-7034-00	100-7034-00	100-7034-00	100-7034-00
077-0036-01	TANK-ACCUMULATOR								
077-0037-01	TANK-ACCUMULATOR	977-0037-01	977-0037-01	977-0037-01	977-0037-01	977-0037-01	977-0037-01	977-0037-01	977-0037-01
080-0139-08	TERMINAL BLOCK	980-0139-08	980-0139-08	980-0139-08	980-0139-08	980-0139-08	980-0139-08	980-0139-08	980-0139-08
080-0139-09	TERMINAL BLOCK	980-0139-09	980-0139-09	980-0139-09	980-0139-09	980-0139-09	980-0139-09	980-0139-09	980-0139-09
580-0086-00	TERMINAL BLOCK ASSEMBLY	980-0086-00		980-0086-00		980-0086-00		980-0086-00	
580-0086-01	TERMINAL BLOCK ASSEMBLY		980-0086-01		980-0086-01		980-0086-01		980-0086-01
039-0026-06	TRANSDUCER - PRESSURE	039-0026-06	039-0026-06	039-0026-06	039-0026-06	039-0026-06	039-0026-06	039-0026-06	039-0026-06
037-0038-01	TRANSFORMER CONTROL	037-0038-01	037-0038-01	037-0038-01	037-0038-01	037-0038-01	037-0038-01	037-0038-01	037-0038-01
510-7062-00	VALVE-ACCESS	910-7062-00	910-7062-00	910-7062-00	910-7062-00	910-7062-00	910-7062-00	910-7062-00	910-7062-00
010-7003-01	VALVE-CHECK	910-7003-01	910-7003-01	910-7003-01	910-7003-01	910-7003-01	910-7003-01	910-7003-01	910-7003-01
010-0104-00	VALVE-EXV	910-0104-00	910-0104-00	910-0104-00	910-0104-00	910-0104-00	910-0104-00	910-0104-00	910-0104-00
510-0730-01	VALVE-HIGH PRESSURE	910-0730-00	910-0730-00	910-0730-00	910-0730-00	910-0730-00	910-0730-00	910-0730-00	910-0730-00
003-1220-00	VALVE-PLATE	903-1220-00	903-1220-00	903-1220-00	903-1220-00	903-1220-00	903-1220-00	903-1220-00	903-1220-00
010-0142-02	VALVE-SERVICE	910-0142-02	910-0142-02	910-0142-02	910-0142-02	910-0142-02	910-0142-02	910-0142-02	910-0142-02
010-0179-00	VALVE-SERVICE	910-7009-01	910-7009-01	910-7009-01	910-7009-01	910-7009-01	910-7009-01	910-7009-01	910-7009-01
010-0180-00	VALVE-SERVICE	910-0180-00	910-0180-00	910-0180-00	910-0180-00	910-0180-00	910-0180-00	910-0180-00	910-0180-00
ZS09KAE-PFV-118	WELD COMP	ZS09KAE-PFV-818							
ZS09KAE-TF5-118	WELD COMP		ZS09KAE-TF5-818						
ZS11KAE-PFV-118	WELD COMP			ZS11KAE-PFV-818					
ZS11KAE-TF5-118	WELD COMP				ZS11KAE-TF5-818				
ZS13KAE-PFV-118	WELD COMP					ZS13KAE-PFV-818			
ZS13KAE-TF5-118	WELD COMP						ZS13KAE-TF5-818		
ZS15KAE-PFV-118	WELD COMP							ZS15KAE-PFV-818	
ZS15KAE-TF5-118	WELD COMP								ZS15KAE-TF5-818
Accessories									
	Master Service Kit	980-0080-00	980-0080-00	980-0080-00	980-0080-00	980-0080-00	980-0080-00	980-0080-00	980-0080-00
	Wall Bracket	074-7286-00	074-7286-00	074-7286-00	074-7286-00	074-7286-00	074-7286-00	074-7286-00	074-7286-00
	Adjustable Stand	074-7289-00	074-7289-00	074-7289-00	074-7289-00	074-7289-00	074-7289-00	074-7289-00	074-7289-00
	CoreSense Communications Kit	943-0224-00	943-0224-00	943-0224-00	943-0224-00	943-0224-00	943-0224-00	943-0224-00	943-0224-00
	Remote Display - Controller	143-0023-00	143-0023-00	143-0023-00	143-0023-00	143-0023-00	143-0023-00	143-0023-00	143-0023-00

X-Line Service - Extended Medium Temp

Production Part	Description	XFAP-025Z-CFV-081	XFAP-025Z-TFC-081	XFAP-030Z-CFV-081	XFAP-030Z-TFC-081	XFAP-033Z-CFV-081	XFAP-033Z-TFC-081	XFAP-037Z-CFV-081	XFAP-037Z-TFC-081
022-0644-00	BASE-PLATE	922-0644-00	922-0644-00	922-0644-00	922-0644-00	922-0644-00	922-0644-00	922-0644-00	922-0644-00
083-6931-00	BLADE	983-6931-00	983-6931-00	983-6931-00	983-6931-00	983-6931-00	983-6931-00	983-6931-00	983-6931-00
062-7053-00	BOX-ELECTRICAL	062-7053-00	062-7053-00	062-7053-00	062-7053-00	062-7053-00	062-7053-00	062-7053-00	062-7053-00
074-1207-01	BRACKET:EXV	074-1207-01	074-1207-01	074-1207-01	074-1207-01	074-1207-01	074-1207-01	074-1207-01	074-1207-01
074-1205-00	BRACKET:STABILIZER TOP	074-1205-00	074-1205-00	074-1205-00	074-1205-00	074-1205-00	074-1205-00	074-1205-00	074-1205-00
074-1424-00	BRACKET-CONTROL MTG	074-1424-00	074-1424-00	074-1424-00	074-1424-00	074-1424-00	074-1424-00	074-1424-00	074-1424-00
074-1425-00	BRACKET-CONTROL MTG								
074-7284-00	BRACKET-COVER RIGHT	074-7284-00	074-7284-00	074-7284-00	074-7284-00	074-7284-00	074-7284-00	074-7284-00	074-7284-00
074-7282-00	BRACKET-MOUNTING	074-7282-00	074-7282-00	074-7282-00	074-7282-00	074-7282-00	074-7282-00	074-7282-00	074-7282-00
071-7018-00	BREAKER-CIRCUIT	971-7018-00	971-7018-00	971-7018-00	971-7018-00	971-7018-00	971-7018-00	971-7018-00	971-7018-00
529-0220-02	CABLE AMBIENT SENSOR	529-0220-02	529-0220-02	529-0220-02	529-0220-02	529-0220-02	529-0220-02	529-0220-02	529-0220-02
529-0220-00	CABLE-COND TEMP SENSOR	529-0220-00	529-0220-00	529-0220-00	529-0220-00	529-0220-00	529-0220-00	529-0220-00	529-0220-00
529-0220-01	CABLE-DISCH TEMP SENSOR	529-0220-01	529-0220-01	529-0220-01	529-0220-01	529-0220-01	529-0220-01	529-0220-01	529-0220-01
529-0220-09	CABLE-DISCH TEMP SENSOR								
529-0114-08	CABLE-SENSOR ASSEMBLY	529-0114-08	529-0114-08	529-0114-08	529-0114-08	529-0114-08	529-0114-08	529-0114-08	529-0114-08
529-0222-01	CABLE-WIRE HARNESS	529-0222-01	529-0222-01	529-0222-01	529-0222-01	529-0222-01	529-0222-01	529-0222-01	529-0222-01
529-0222-02	CABLE-WIRE HARNESS								
014-0083-00	CAPACITOR-FAN	914-0083-00	914-0083-00	914-0083-00	914-0083-00	914-0083-00	914-0083-00	914-0083-00	914-0083-00
014-0064-06	CAPACITOR-RUNNING								
014-0064-07	CAPACITOR-RUNNING								
014-0064-08	CAPACITOR-RUNNING								
014-0064-18	CAPACITOR-RUNNING							914-0037-22	
014-0064-25	CAPACITOR-RUNNING	914-0037-36							
014-0064-27	CAPACITOR-RUNNING								
014-0064-28	CAPACITOR-RUNNING			914-0037-39		914-0037-39			
014-0006-15	CAPACITOR-START								
014-0061-27	CAPACITOR-START	914-0036-03		914-0036-03		914-0036-03		914-0036-03	
032-0359-07	CLAMP-CAPACITOR								
032-0359-08	CLAMP-CAPACITOR	032-0359-08		032-0359-08		032-0359-08		032-0359-08	
032-0743-01	CLAMP-CAPACITOR	032-0743-01	032-0743-01	032-0743-01	032-0743-01	032-0743-01	032-0743-01	032-0743-01	032-0743-01
032-7003-06	CLAMP-TUBE	032-7003-06	032-7003-06	032-7003-06	032-7003-06	032-7003-06	032-7003-06	032-7003-06	032-7003-06
032-7053-00	CLAMP-TY RAP	062-7053-00	062-7053-00	062-7053-00	062-7053-00	032-7053-00	032-7053-00	032-7053-00	032-7053-00
032-0688-02	CLIP-PIPE	032-0688-02	032-0688-02	032-0688-02	032-0688-02	032-0688-02	032-0688-02	032-0688-02	032-0688-02
032-0731-00	CLIP-SENSOR	032-0731-00	032-0731-00	032-0731-00	032-0731-00	032-0731-00	032-0731-00	032-0731-00	032-0731-00
023-0068-00	COIL-EXV								
023-0068-04	COIL-EXV	923-0068-00	923-0068-00	923-0068-00	923-0068-00	923-0068-00	923-0068-00	923-0068-00	923-0068-00
066-0387-00	CONDENSER								
066-0388-00	CONDENSER								
066-0389-00	CONDENSER								
066-0393-00	CONDENSER								
066-0800-00	CONDENSER	066-0800-00	066-0800-00	066-0800-00	066-0800-00	066-0800-00	066-0800-00	066-0800-00	066-0800-00
012-1401-04	CONTACTOR	912-1401-04		912-1401-04		912-1401-04		912-1401-04	
012-1401-06	CONTACTOR		012-1401-06		012-1401-06		012-1401-06		012-1401-06
543-0214-00	CONTROLLER-ELECT. UNIT	943-0214-00	943-0214-00	943-0214-00	943-0214-00	943-0214-00	943-0214-00	943-0214-00	943-0214-00
085-7031-06	CONTROL-PRESSURE	985-7031-06	985-7031-06	985-7031-06	985-7031-06	985-7031-06	985-7031-06	985-7031-06	985-7031-06
005-7230-00	COVER-ELECTRICAL BOX	905-7230-00	905-7230-00	905-7230-00	905-7230-00	905-7230-00	905-7230-00	905-7230-00	905-7230-00
005-7193-00	COVER-HANDLE	905-7193-00	905-7193-00	905-7193-00	905-7193-00	905-7193-00	905-7193-00	905-7193-00	905-7193-00
005-1331-00	COVER-RIGHT	905-1331-00	905-1331-00	905-1331-00	905-1331-00	905-1331-00	905-1331-00	905-1331-00	905-1331-00
005-1876-00	COVER-RIGHT								
005-1280-00	COVER-SENSOR	905-1280-00	905-1280-00	905-1280-00	905-1280-00	905-1280-00	905-1280-00	905-1280-00	905-1280-00
005-1273-00	COVER-TOP	905-1273-00	905-1273-00	905-1273-00	905-1273-00	905-1273-00	905-1273-00	905-1273-00	905-1273-00
518-0068-00	CRANKCASE HEATER ASSM.	518-0068-00	518-0068-00	518-0068-00	518-0068-00	518-0068-00	518-0068-00	518-0068-00	518-0068-00
518-0068-01	CRANKCASE HEATER ASSM.								
518-0068-02	CRANKCASE HEATER ASSM.								
518-0068-03	CRANKCASE HEATER ASSM.								
505-7098-00	DOOR ASSEMBLY								
505-7099-00	DOOR ASSEMBLY	505-7099-00	505-7099-00	505-7099-00	505-7099-00	505-7099-00	505-7099-00	505-7099-00	505-7099-00
013-7000-31	FILTER-DRIER	913-7000-31	913-7000-31	913-7000-31	913-7000-31	913-7000-31	913-7000-31	913-7000-31	913-7000-31
024-0262-00	GUARD-COND COIL								

X-Line Service - Extended Medium Temp

Production Part	Description	XFAP-025Z-CFV-081	XFAP-025Z-TFC-081	XFAP-030Z-CFV-081	XFAP-030Z-TFC-081	XFAP-033Z-CFV-081	XFAP-033Z-TFC-081	XFAP-037Z-CFV-081	XFAP-037Z-TFC-081
024-0263-00	GUARD-COND COIL	924-0263-00	924-0263-00	924-0263-00	924-0263-00	924-0263-00	924-0263-00	924-0263-00	924-0263-00
024-0264-00	GUARD-FAN	924-0264-00	924-0264-00	924-0264-00	924-0264-00	924-0264-00	924-0264-00	924-0264-00	924-0264-00
005-7193-01	HAND-GRIP	905-7193-01	905-7193-01	905-7193-01	905-7193-01	905-7193-01	905-7193-01	905-7193-01	905-7193-01
905-1280-00	HAND-WIDE GRIP KIT	905-1280-00	905-1280-00	905-1280-00	905-1280-00	905-1280-00	905-1280-00	905-1280-00	905-1280-00
018-0094-05	HEATER-CRANKCASE								
018-0095-04	HEATER-CRANKCASE	918-0043-00	918-0043-00	918-0043-00	918-0043-00	918-0043-00	918-0043-00	918-0043-00	918-0043-00
018-7013-00	HEATER-RECEIVER	918-0100-00	918-0100-00	918-0100-00	918-0100-00	918-0100-00	918-0100-00	918-0100-00	918-0100-00
032-0592-00	HOLDER-SENSOR	032-0592-00	032-0592-00	032-0592-00	032-0592-00	032-0592-00	032-0592-00	032-0592-00	032-0592-00
943-0039-00	HOTKEY PROGRAM GROUP	943-0039-00	943-0039-00	943-0039-00	943-0039-00	943-0039-00	943-0039-00	943-0039-00	943-0039-00
570-7003-06	INDICATOR-MOISTURE	970-7003-06	970-7003-06	970-7003-06	970-7003-06	970-7003-06	970-7003-06	970-7003-06	970-7003-06
052-7289-00	LABEL LOCK / UNLOCK	052-7289-00	052-7289-00	052-7289-00	052-7289-00	052-7289-00	052-7289-00	052-7289-00	052-7289-00
050-0316-01	MOTOR-FAN	050-0316-01	050-0316-01	050-0316-01	050-0316-01	050-0316-01	050-0316-01	050-0316-01	050-0316-01
101-7018-00	NUT-HEX	101-7018-00	101-7018-00	101-7018-00	101-7018-00	101-7018-00	101-7018-00	101-7018-00	101-7018-00
003-1487-00	PLATE-DIVIDER	903-1487-00	903-1487-00	903-1487-00	903-1487-00	903-1487-00	903-1487-00	903-1487-00	903-1487-00
003-1576-00	PLATE-DIVIDER								
005-7214-00	PLATE-FRONT LEFT								
005-7215-00	PLATE-FRONT LEFT	905-7215-00	905-7215-00	905-7215-00	905-7215-00	905-7215-00	905-7215-00	905-7215-00	905-7215-00
529-0060-04	POWER CABLE-MOLDED PLUG	529-0060-04	529-0060-04	529-0060-04	529-0060-04	529-0060-04	529-0060-04	529-0060-04	529-0060-04
529-0060-25	POWER CABLE-MOLDED PLUG								
577-0542-00	RECEIVER ASSEMBLY	577-0542-00	577-0542-00	577-0542-00	577-0542-00	577-0542-00	577-0542-00	577-0542-00	577-0542-00
577-0542-01	RECEIVER ASSEMBLY								
040-0181-00	RELAY-DEFROST	940-0181-00	940-0181-00	940-0181-00	940-0181-00	940-0181-00	940-0181-00	940-0181-00	940-0181-00
040-0166-37	RELAY-QUICK CONNECT	940-0001-79		940-0001-79		940-0001-79		940-0001-79	
100-7034-00	SCREW-AMBIENT HOLDER	100-7034-00	100-7034-00	100-7034-00	100-7034-00	100-7034-00	100-7034-00	100-7034-00	100-7034-00
077-0036-01	TANK-ACCUMULATOR								
077-0037-01	TANK-ACCUMULATOR	977-0037-01	977-0037-01	977-0037-01	977-0037-01	977-0037-01	977-0037-01	977-0037-01	977-0037-01
080-0139-08	TERMINAL BLOCK	980-0139-08	980-0139-08	980-0139-08	980-0139-08	980-0139-08	980-0139-08	980-0139-08	980-0139-08
080-0139-09	TERMINAL BLOCK	980-0139-09	980-0139-09	980-0139-09	980-0139-09	980-0139-09	980-0139-09	980-0139-09	980-0139-09
580-0086-00	TERMINAL BLOCK ASSEMBLY	980-0086-00		980-0086-00		980-0086-00		980-0086-00	
580-0086-01	TERMINAL BLOCK ASSEMBLY		980-0086-01		980-0086-01		980-0086-01		980-0086-01
039-0026-06	TRANSDUCER - PRESSURE	039-0026-06	039-0026-06	039-0026-06	039-0026-06	039-0026-06	039-0026-06	039-0026-06	039-0026-06
037-0038-01	TRANSFORMER CONTROL	037-0038-01	037-0038-01	037-0038-01	037-0038-01	037-0038-01	037-0038-01	037-0038-01	037-0038-01
510-7062-00	VALVE-ACCESS	910-7062-00	910-7062-00	910-7062-00	910-7062-00	910-7062-00	910-7062-00	910-7062-00	910-7062-00
010-7003-01	VALVE-CHECK	910-7003-01	910-7003-01	910-7003-01	910-7003-01	910-7003-01	910-7003-01	910-7003-01	910-7003-01
010-0104-00	VALVE-EXV	910-0104-00	910-0104-00	910-0104-00	910-0104-00	910-0104-00	910-0104-00	910-0104-00	910-0104-00
510-0730-01	VALVE-HIGH PRESSURE	910-0730-00	910-0730-00	910-0730-00	910-0730-00	910-0730-00	910-0730-00	910-0730-00	910-0730-00
003-1220-00	VALVE-PLATE	903-1220-00	903-1220-00	903-1220-00	903-1220-00	903-1220-00	903-1220-00	903-1220-00	903-1220-00
010-0142-02	VALVE-SERVICE	910-0142-02	910-0142-02	910-0142-02	910-0142-02	910-0142-02	910-0142-02	910-0142-02	910-0142-02
010-0179-00	VALVE-SERVICE	910-7009-01	910-7009-01	910-7009-01	910-7009-01	910-7009-01	910-7009-01	910-7009-01	910-7009-01
010-0180-00	VALVE-SERVICE	910-0180-00	910-0180-00	910-0180-00	910-0180-00	910-0180-00	910-0180-00	910-0180-00	910-0180-00
ZS19KAE-PFV-118	WELD COMP	ZS19KAE-PFV-818							
ZS19KAE-TF5-118	WELD COMP		ZS19KAE-TF5-818						
ZS21KAE-PFV-118	WELD COMP			ZS21KAE-PFV-818					
ZS21KAE-TF5-118	WELD COMP				ZS21KAE-TF5-818				
ZS26KAE-PFV-118	WELD COMP					ZS26KAE-PFV-818			
ZS26KAE-TF5-118	WELD COMP						ZS26KAE-TF5-818		
ZS29KAE-PFV-118	WELD COMP							ZS29KAE-PFV-818	
ZS29KAE-TF5-118	WELD COMP								ZS29KAE-TF5-818

X-Line Service - Extended Medium Temp

Production Part	Description	XFAP-045Z-CFV-081	XFAP-045Z-TFC-081	XFAP-050Z-CFV-081	XFAP-050Z-TFC-081	XFAP-060Z-TFC-081
022-0644-00	BASE-PLATE	922-0644-00	922-0644-00	922-0644-00	922-0644-00	922-0644-00
083-6931-00	BLADE	983-6931-00	983-6931-00	983-6931-00	983-6931-00	983-6931-00
062-7053-00	BOX-ELECTRICAL	062-7053-00	062-7053-00	062-7053-00	062-7053-00	062-7053-00
074-1207-01	BRACKET:EXV	074-1207-01	074-1207-01	074-1207-01	074-1207-01	074-1207-01
074-1205-00	BRACKET:STABILIZER TOP	074-1205-00	074-1205-00	074-1205-00	074-1205-00	074-1205-00
074-1424-00	BRACKET-CONTROL MTG					
074-1425-00	BRACKET-CONTROL MTG	074-1425-00	074-1425-00	074-1425-00	074-1425-00	074-1425-00
074-7284-00	BRACKET-COVER RIGHT	074-7284-00	074-7284-00	074-7284-00	074-7284-00	074-7284-00
074-7282-00	BRACKET-MOUNTING	074-7282-00	074-7282-00	074-7282-00	074-7282-00	074-7282-00
071-7018-00	BREAKER-CIRCUIT	971-7018-00	971-7018-00	971-7018-00	971-7018-00	971-7018-00
529-0220-02	CABLE AMBIENT SENSOR	529-0220-02	529-0220-02	529-0220-02	529-0220-02	529-0220-02
529-0220-00	CABLE-COND TEMP SENSOR	529-0220-00	529-0220-00	529-0220-00	529-0220-00	529-0220-00
529-0220-01	CABLE-DISCH TEMP SENSOR					
529-0220-09	CABLE-DISCH TEMP SENSOR	529-0220-09	529-0220-09	529-0220-09	529-0220-09	529-0220-09
529-0114-08	CABLE-SENSOR ASSEMBLY	529-0114-08	529-0114-08	529-0114-08	529-0114-08	529-0114-08
529-0222-01	CABLE-WIRE HARNESS					
529-0222-02	CABLE-WIRE HARNESS	529-0222-02	529-0222-02	529-0222-02	529-0222-02	529-0222-02
014-0083-00	CAPACITOR-FAN	914-0083-00	914-0083-00	914-0083-00	914-0083-00	914-0083-00
014-0064-06	CAPACITOR-RUNNING					
014-0064-07	CAPACITOR-RUNNING					
014-0064-08	CAPACITOR-RUNNING					
014-0064-18	CAPACITOR-RUNNING					
014-0064-25	CAPACITOR-RUNNING					
014-0064-27	CAPACITOR-RUNNING	914-0037-38		914-0037-38		
014-0064-28	CAPACITOR-RUNNING					
014-0006-15	CAPACITOR-START			914-0006-10		
014-0061-27	CAPACITOR-START	914-0036-03				
032-0359-07	CLAMP-CAPACITOR					
032-0359-08	CLAMP-CAPACITOR					
032-0743-01	CLAMP-CAPACITOR	032-0743-01	032-0743-01	032-0743-01	032-0743-01	032-0743-01
032-7003-06	CLAMP-TUBE	032-7003-06	032-7003-06	032-7003-06	032-7003-06	032-7003-06
032-7053-00	CLAMP-TY RAP	032-7053-00	032-7053-00	032-7053-00	032-7053-00	032-7053-00
032-0688-02	CLIP-PIPE	032-0688-02	032-0688-02	032-0688-02	032-0688-02	032-0688-02
032-0731-00	CLIP-SENSOR	032-0731-00	032-0731-00	032-0731-00	032-0731-00	032-0731-00
023-0068-00	COIL-EXV	023-0068-00	023-0068-00	023-0068-00	023-0068-00	023-0068-00
023-0068-04	COIL-EXV					
066-0387-00	CONDENSER			066-0387-00	066-0387-00	
066-0388-00	CONDENSER	066-0388-00	066-0388-00			
066-0389-00	CONDENSER					
066-0393-00	CONDENSER					066-0393-00
066-0800-00	CONDENSER					
012-1401-04	CONTACTOR	912-1401-04		912-1401-04		
012-1401-06	CONTACTOR		012-1401-06		012-1401-06	012-1401-06
543-0214-00	CONTROLLER-ELECT. UNIT	943-0214-00	943-0214-00	943-0214-00	943-0214-00	943-0214-00
085-7031-06	CONTROL-PRESSURE	985-7031-06	985-7031-06	985-7031-06	985-7031-06	985-7031-06
005-7230-00	COVER-ELECTRICAL BOX	905-7230-00	905-7230-00	905-7230-00	905-7230-00	905-7230-00
005-7193-00	COVER-HANDLE	905-7193-00	905-7193-00	905-7193-00	905-7193-00	905-7193-00
005-1331-00	COVER-RIGHT					
005-1876-00	COVER-RIGHT	005-1876-00	005-1876-00	005-1876-00	005-1876-00	005-1876-00
005-1280-00	COVER-SENSOR	905-1280-00	905-1280-00	905-1280-00	905-1280-00	905-1280-00
005-1273-00	COVER-TOP	905-1273-00	905-1273-00	905-1273-00	905-1273-00	905-1273-00
518-0068-00	CRANKCASE HEATER ASSM.					
518-0068-01	CRANKCASE HEATER ASSM.	518-0068-01	518-0068-01		518-0068-01	518-0068-01
518-0068-02	CRANKCASE HEATER ASSM.					
518-0068-03	CRANKCASE HEATER ASSM.			518-0068-03		
505-7098-00	DOOR ASSEMBLY	505-7098-00	505-7098-00	505-7098-00	505-7098-00	505-7098-00
505-7099-00	DOOR ASSEMBLY					
013-7000-31	FILTER-DRIER	913-7000-31	913-7000-31	913-7000-31	913-7000-31	913-7000-31
024-0262-00	GUARD-COND COIL	924-0262-00	924-0262-00	924-0262-00	924-0262-00	924-0262-00
024-0263-00	GUARD-COND COIL					
024-0264-00	GUARD-FAN	924-0264-00	924-0264-00	924-0264-00	924-0264-00	924-0264-00

980-0080-00 Master Service Kit

Component	Description
037-0038-01	TRANSFORMER CONTROL
037-0038-03	TRANSFORMER CONTROL
039-0026-06	TRANSDUCER - PRESSURE
529-0060-04	POWER CABLE-MOLDED PLUG
529-0060-25	POWER CABLE-MOLDED PLUG
529-0222-01	CABLE-WIRE HARNESS
529-0222-02	CABLE-WIRE HARNESS
529-7051-00	CABLE-SENSOR ASSEMBLY
912-1401-04	CONTACTOR
912-3040-02	CONTACTOR
914-0083-00	CAPACITOR-FAN
923-0068-00	COIL-EXV
929-0304-00	CABLE-SENSOR ASSEMBLY
940-0181-00	RELAY-DEFROST
943-0214-00	CONTROLLER-ELECT. UNIT
971-7018-00	BREAKER-CIRCUIT
980-0086-00	TERMINAL BLOCK ASSEMBLY
980-0086-01	TERMINAL BLOCK ASSEMBLY

X-Line Service - Extended Medium Temp

Production Part	Description	XFAP-045Z-CFV-081	XFAP-045Z-TFC-081	XFAP-050Z-CFV-081	XFAP-050Z-TFC-081	XFAP-060Z-TFC-081
005-7193-01	HAND-GRIP	905-7193-01	905-7193-01	905-7193-01	905-7193-01	905-7193-01
905-1280-00	HAND-WIDE GRIP KIT	905-1280-00	905-1280-00	905-1280-00	905-1280-00	905-1280-00
018-0094-05	HEATER-CRANKCASE					
018-0095-04	HEATER-CRANKCASE	918-0043-00	918-0043-00	918-0043-00	918-0043-00	918-0043-00
018-7013-00	HEATER-RECEIVER	918-0100-00	918-0100-00	918-0100-00	918-0100-00	918-0100-00
032-0592-00	HOLDER-SENSOR	032-0592-00	032-0592-00	032-0592-00	032-0592-00	032-0592-00
943-0039-00	HOTKEY PROGRAM GROUP	943-0039-00	943-0039-00	943-0039-00	943-0039-00	943-0039-00
570-7003-06	INDICATOR-MOISTURE	970-7003-06	970-7003-06	970-7003-06	970-7003-06	970-7003-06
052-7289-00	LABEL LOCK / UNLOCK	052-7289-00	052-7289-00	052-7289-00	052-7289-00	052-7289-00
050-0316-01	MOTOR-FAN	050-0316-01	050-0316-01	050-0316-01	050-0316-01	050-0316-01
101-7018-00	NUT-HEX	101-7018-00	101-7018-00	101-7018-00	101-7018-00	101-7018-00
003-1487-00	PLATE-DIVIDER					
003-1576-00	PLATE-DIVIDER	903-1576-00	903-1576-00	903-1576-00	903-1576-00	903-1576-00
005-7214-00	PLATE-FRONT LEFT	905-7214-00	905-7214-00	905-7214-00	905-7214-00	905-7214-00
005-7215-00	PLATE-FRONT LEFT					
529-0060-04	POWER CABLE-MOLDED PLUG					
529-0060-25	POWER CABLE-MOLDED PLUG	529-0060-25	529-0060-25			
577-0542-00	RECEIVER ASSEMBLY					
577-0542-01	RECEIVER ASSEMBLY	577-0542-01	577-0542-01	577-0542-01	577-0542-01	577-0542-01
040-0181-00	RELAY-DEFROST	940-0181-00	940-0181-00	940-0181-00	940-0181-00	940-0181-00
040-0166-37	RELAY-QUICK CONNECT	940-0001-79		940-0001-79		
100-7034-00	SCREW-AMBIENT HOLDER	100-7034-00	100-7034-00	100-7034-00	100-7034-00	100-7034-00
077-0036-01	TANK-ACCUMULATOR	977-0036-01	977-0036-01	977-0036-01	977-0036-01	977-0036-01
077-0037-01	TANK-ACCUMULATOR					
080-0139-08	TERMINAL BLOCK	980-0139-08	980-0139-08	980-0139-08	980-0139-08	980-0139-08
080-0139-09	TERMINAL BLOCK	980-0139-09	980-0139-09	980-0139-09	980-0139-09	980-0139-09
580-0086-00	TERMINAL BLOCK ASSEMBLY	980-0086-00		980-0086-00		
580-0086-01	TERMINAL BLOCK ASSEMBLY		980-0086-01		980-0086-01	980-0086-01
039-0026-06	TRANSDUCER - PRESSURE	039-0026-06	039-0026-06	039-0026-06	039-0026-06	039-0026-06
037-0038-01	TRANSFORMER CONTROL	037-0038-01	037-0038-01	037-0038-01	037-0038-01	037-0038-01
510-7062-00	VALVE-ACCESS	910-7062-00	910-7062-00	910-7062-00	910-7062-00	910-7062-00
010-7003-01	VALVE-CHECK	910-7003-01	910-7003-01	910-7003-01	910-7003-01	910-7003-01
010-0104-00	VALVE-EXV	910-0104-00	910-0104-00	910-0104-00	910-0104-00	910-0104-00
510-0730-01	VALVE-HIGH PRESSURE	910-0730-00	910-0730-00	910-0730-00	910-0730-00	910-0730-00
003-1220-00	VALVE-PLATE	903-1220-00	903-1220-00	903-1220-00	903-1220-00	903-1220-00
010-0142-02	VALVE-SERVICE	910-0142-02	910-0142-02	910-0142-02	910-0142-02	910-0142-02
010-0179-00	VALVE-SERVICE	910-7009-01	910-7009-01	910-7009-01	910-7009-01	910-7009-01
010-0180-00	VALVE-SERVICE	910-0180-00	910-0180-00	910-0180-00	910-0180-00	910-0180-00
ZS33KAE-PFV-118	WELD COMP	ZS33KAE-PFV-818				
ZS33KAE-TF5-118	WELD COMP		ZS33KAE-TF5-818			
ZS38K4E-PFV-250	WELD COMP			ZS38K4E-PFV-950		
ZS38K4E-TF5-250	WELD COMP				ZS38K4E-TF5-950	
ZS45K4E-TF5-250	WELD COMP					ZS45K4E-TF5-950

Visit Climate.Emerson.com/mobileapps
to download FREE apps for your mobile device!



Copeland™ Mobile



AE Bulletins



HVACR Fault Finder



Emerson e-Saver™



HVAC Check & Charge



Copeland™ Select



WRMobile



Vilter™ Docs



Emerson X-Check™



Copeland X-Ref™



Emerson PTPro™



ProAct Alerts

More Soon – We're listening to you!

XFAM Competitive Cross (R-404A)

Emerson (Copeland)				Heatcraft (Bohn, Chandler, Climate Control, Larkin)		
Model	Compressor	Voltage	Capacity @25/90 Amb	Model	Compressor	Capacity @25/90 Amb
XFAM-008Z-CFV-081	ZB06KAE	208-230/1/60	8,280	*Z*005M6B	ZB06KAE	7,830
XFAM-008Z-TFC-081	ZB06KAE	208-230/3/60	8,280	*Z*005M6C	ZB06KAE	7,830
XFAM-010Z-CFV-081	ZB07KAE	208-230/1/60	10,000	*Z*008M6B	ZB07KAE	9,200
XFAM-010Z-TFC-081	ZB07KAE	208-230/3/60	10,000	*Z*008M6C	ZB07KAE	9,200
XFAM-012Z-CFV-081	ZB08KAE	208-230/1/60	11,400	*Z*009M6B	ZB08KAE	10,160
XFAM-012Z-TFC-081	ZB08KAE	208-230/3/60	11,400	*Z*009M6C	ZB08KAE	10,160
XFAM-015Z-CFV-081	ZS09KAE	208-230/1/60	12,700	*Z*010M6B	ZS09KAE	13,420
XFAM-015Z-TFC-081	ZS09KAE	208-230/3/60	12,700	*Z*010M6C	ZS09KAE	13,420
XFAM-017Z-CFV-081	ZS11KAE	208-230/1/60	15,200			
XFAM-017Z-TFC-081	ZS11KAE	208-230/3/60	15,200			
XFAM-020Z-CFV-081	ZS13KAE	208-230/1/60	17,600	*Z*015M6B	ZS13KAE	17,490
XFAM-020Z-TFC-081	ZS13KAE	208-230/3/60	17,600	*Z*015M6C	ZS13KAE	17,490
XFAM-022Z-CFV-081	ZS15KAE	208-230/1/60	20,400	*Z*020M6B	ZS15KAE	20,560
XFAM-022Z-TFC-081	ZS15KAE	208-230/3/60	20,400	*Z*020M6C	ZS15KAE	20,560
XFAM-025Z-CFV-081	ZS19KAE	208-230/1/60	22,700	*Z*025M6B	ZS19KAE	22,410
XFAM-025Z-TFC-081	ZS19KAE	208-230/3/60	22,700	*Z*025M6C	ZS19KAE	22,410
XFAM-030Z-CFV-081	ZS21KAE	208-230/1/60	29,300	*Z*030M6B	ZS21KAE	32,260
XFAM-030Z-TFC-081	ZS21KAE	208-230/3/60	29,300	*Z*030M6C	ZS21KAE	32,260
XFAM-033Z-CFV-081	ZS26KAE	208-230/1/60	33,000	*Z*035M6B	ZS26KAE	34,960
XFAM-033Z-TFC-081	ZS26KAE	208-230/3/60	33,000	*Z*035M6C	ZS26KAE	34,960
XFAM-037Z-CFV-081	ZS29KAE	208-230/1/60	36,700	*Z*045M6B	ZS29KAE	38,830
XFAM-037Z-TFC-081	ZS29KAE	208-230/3/60	36,700	*Z*045M6C	ZS29KAE	38,830
XFAM-045Z-CFV-081	ZS33KAE	208-230/1/60	40,700	*Z*050M6B	ZS33KAE	41,980
XFAM-045Z-TFC-081	ZS33KAE	208-230/3/60	40,700	*Z*050M6C	ZS33KAE	41,980
XFAM-050Z-CFV-081	ZS38K4E	208-230/1/60	47,300	*Z*055M6B	ZS38K4E	46,970
XFAM-050Z-TFC-081	ZS38K4E	208-230/3/60	47,300	*Z*055M6C	ZS38K4E	46,970
XFAM-060Z-TFC-081	ZS45K4E	208-230/3/60	55,500	*Z*060M6C	ZS45K4E	54,430

Competitive capacity sourced from publicly available published data. For reference only.
XFAM data also applies to XFAP models.

XFAL Competitive Cross (R-407A, R-407C, R-448A/449A)

Emerson (Copeland)						Heatcraft (Bohn, Chandler, Climate Control, Larkin)				
Model	Compressor	Voltage	"Capacity @ -10/90 Amb"			Model	Compressor	"Capacity @ -10/90 Amb"		
			R-407A	R-407C	R-448A R-449A			R-407A	R-407C	R-448A R-449A
XFAL-008Z-CFV-081	ZF03KAE	208-230/1/60	3,620		3,770	*Z*006L6B	ZF03KAE	3,650	3,200	3,610
XFAL-008Z-TFC-081	ZF03KAE	208-230/3/60	3,620		3,770	*Z*006L6C	ZF03KAE	3,650	3,200	3,610
XFAL-009Z-CFV-081	ZF04KAE	208-230/1/60	4,950		5,150	*Z*008L6C	ZF04KAE	4,910	4,300	4,860
XFAL-009Z-TFC-081	ZF04KAE	208-230/3/60	4,950		5,150	*Z*008L6D	ZF04KAE	4,910	4,300	4,860
XFAL-010Z-CFV-081	ZF05KAE	208-230/1/60	5,860		6,100	*Z*010L6C	ZF05KAE	5,740	5,060	5,700
XFAL-010Z-TFC-081	ZF05KAE	208-230/3/60	5,860		6,100	*Z*010L6D	ZF05KAE	5,740	5,060	5,700
XFAL-012Z-CFV-081	ZF07KAE	208-230/1/60	9,130		9,180	*B*022L6B	ZF07K4E	8,620	7,510	8,340
XFAL-012Z-TFC-081	ZF07KAE	208-230/3/60	9,130		9,180	*B*022L6C	ZF07K4E	8,620	7,510	8,340
						*B*025L6B	ZF08K4E	10,450	-	10,270
						*B*025L6C	ZF08K4E	10,450	-	10,270
XFAL-020Z-CFV-081	ZXI06KCE	208-230/1/60	9,453	9,407	11,488	*B*030L6B	ZF09K4E	11,570	10,260	11,250
XFAL-020Z-TFC-081	ZXI06KCE	208-230/3/60	9,453	9,407	11,488	*B*030L6C	ZF09K4E	11,570	10,260	11,250
						*B*035L6B	ZF11K4E	13,730	12,360	13,510
XFAL-030Z-TFC-081	ZXI09KCE	208-230/1/60	13,575	12,265	14,341	*B*035L6C	ZF11K4E	13,730	12,360	13,510
						*B*045L6C	ZF13K4E	17,140	14,870	16,980
XFAL-035Z-CFV-081	ZXI11KCE	208-230/3/60	16,685	15,076	17,389	*B*045L6B	ZF13K4E	17,140	14,870	16,980
XFAL-040Z-CFV-081	ZXI14KCE	208-230/1/60	21,664	20,208	23,490	*B*055L6B	ZF15L4E	20,370	17,870	20,200
XFAL-040Z-TFC-081	ZXI14KCE	208-230/3/60	21,664	20,208	23,490	*B*055L6C	ZF15L4E	20,370	17,870	20,200
XFAL-050Z-CFV-081	ZXI15KCE	208-230/1/60	22,698	21,233	26,337					
XFAL-050Z-TFC-081	ZXI15KCE	208-230/3/60	23,545	23,939	24,664	*B*060L6C	ZF18K4E	23,840	21,000	23,440
XFAL-060Z-TFC-081	ZXI18KCE	208-230/3/60	29,902	26,023	28,252					

Competitive capacity sourced from publicly available published data. For reference only.

HTPG (ColdZone, Kramer, Russell, Witt)			United (Keep-Rite, Trenton)		
Model	Compressor	Capacity @25/90 Amb	Model	Compressor	Capacity @25/90 Amb
**O060M4SD	ZB06KAE	7,350	*QZA007H8-HS2	ZB06KAE	8,230
**O060M4SE	ZB06KAE	7,350	*QZA007H8-HT3	ZB06KAE	8,230
**O080M4SD	ZB07KAE	9,100	*QZA008H8-HS2	ZB07KAE	9,850
**O080M4SE	ZB07KAE	9,100	*QZA008H8-HT3	ZB07KAE	9,850
**O100M4SD	ZB08KAE	10,400	*QZA009H8-HS2	ZB08KAE	11,100
**O100M4SE	ZB08KAE	10,400	*QZA009H8-HT3	ZB08KAE	11,100
**O130E4SD	ZS09KAE	11,130	*QZA010H8-HS2	ZS09KAE	12,400
**O130E4SE	ZS09KAE	11,130	*QZA010H8-HT3	ZS09KAE	12,400
**O150E4SD	ZS11KAE	14,270	*QZA011H8-HS2	ZS11KAE	14,700
**O150E4SE	ZS11KAE	14,270	*QZA011H8-HT3	ZS11KAE	14,700
**O180E4SD	ZS13KAE	15,990	*QZA015H8-HS2	ZS13KAE	16,900
**O180E4SE	ZS13KAE	15,990	*QZA015H8-HT3	ZS13KAE	16,900
**O200E4SD	ZS15KAE	20,050	*QZA020H8-HS2	ZB15KCE	19,280
**O200E4SE	ZS15KAE	20,050	*QZA020H8-HT3	ZB15KCE	19,280
**O250E4SD	ZS19KAE	21,960	*QZA025H8-HS2	ZB19KCE	23,070
**O250E4SE	ZS19KAE	21,960	*QZA025H8-HT3	ZB19KCE	23,070
**O300E4SD	ZS21KAE	30,480	*QZA030H8-HS2	ZB21KCE	27,430
**O300E4SE	ZS21KAE	30,480	*QZA030H8-HT3	ZB21KCE	27,430
**O350E4SD	ZS26KAE	33,600	*QZA035H8-HS2	ZB26KCE	34,200
**O350E4SE	ZS26KAE	33,600	*QZA035H8-HT3	ZB26KCE	34,200
**O400E4SD	ZS29KAE	37,710	*QZA040H8-HS2	ZB30KCE	39,290
**O400E4SE	ZS29KAE	37,710	*QZA040H8-HT3	ZB30KCE	39,290
**O450E4SD	ZS33KAE	42,490			
**O450E4SE	ZS33KAE	42,490			
**O500E4SD	ZS38K4E	46,660	*QZA050H8-HS2	ZB38KCE	47,130
**O500E4SE	ZS38K4E	46,660	*QZA050H8-HT3	ZB38KCE	47,130
**O600E4SE	ZS45K4E	55,630	*QZA060H8-HT3	ZB45KCE	55,400

HTPG (ColdZone, Kramer, Russell, Witt)					United (Keep-Rite, Trenton)				
Model	Compressor	"Capacity @ -10/90 Amb"			Model	Compressor	"Capacity @ -10/90 Amb"		
		R-407A	R-407C	R-448A R-449A			R-407A	R-407C	R-448A/ 449A
**O100L4SD	ZF03KAE	3,240	3,060	3,400	*QZA008L8-HS2	ZF03KAE	3,870	-	4,050
**O100L4SE	ZF03KAE	3,240	3,060	3,400	*QZA008L8-HT3	ZF03KAE	3,870	-	4,050
**O130L4SD	ZF04KAE	4,450	4,160	4,670	*QZA010L8-HS2	ZF04KAE	5,230	-	5,480
**O130L4SE	ZF04KAE	4,450	4,160	4,670	*QZA010L8-HT3	ZF04KAE	5,230	-	5,480
**O160L4SD	ZF05KAE	5,300	4,980	5,570	*QZA015L8-HS2	ZF05KAE	6,130	-	6,450
**O160L4SE	ZF05KAE	5,300	4,980	5,570	*QZA015L8-HT3	ZF05KAE	6,130	-	6,450
**O230L4SD	ZF07KAE	8,430	7,680	8,500	*QZA020L8-HS2	ZF06K4E	9,000	-	9,200
**O230L4SE	ZF07KAE	8,430	7,680	8,500	*QZA020L8-HT3	ZF06K4E	9,000	-	9,200
**O250L4SD	ZF08K4E	10,170	9,610	10,590	*QZA025L8-HS2	ZF08K4E	11,100	-	11,700
**O250L4SE	ZF08K4E	10,170	9,610	10,590	*QZA025L8-HT3	ZF08K4E	11,100	-	11,700
**O300L4SD	ZF09K4E	11,470	10,840	11,830	*QZA030L8-HS2	ZF09K4E	12,500	-	12,900
**O300L4SE	ZF09K4E	11,470	10,840	11,830	*QZA030L8-HT3	ZF09K4E	12,500	-	12,900
**O350L4SD	ZF11K4E	14,210	13,420	14,640	*QZA035L8-HS2	ZF11K4E	15,200	-	15,800
**O350L4SE	ZF11K4E	14,210	13,420	14,640	*QZA035L8-HT3	ZF11K4E	15,200	-	15,800
**O400L4SE	ZF13K4E	16,440	15,330	17,610	*QZA045L8-HT3	ZF13K4E	18,200	-	19,300
**O400L4SD	ZF13K4E	16,440	15,330	17,610	*QZA045L8-HS2	ZF13K4E	18,200	-	19,300
**O500L4SD	ZF15K4E	20,070	18,760	21,540	*QZA055L8-HS2	ZF15K4E	21,900	-	23,300
**O500L4SE	ZF15K4E	20,070	18,760	21,540	*QZA055L8-HT3	ZF15K4E	21,900	-	23,300
**O600L4SE	ZF18K4E	24,110	22,510	25,830	*QZA060L8-HT3	ZF18K4E	26,500	-	28,000

XFAL /XFAP Competitive Cross (R-404A only)

Emerson (Copeland)				Heatcraft (Bohn, Chandler, Climate Control, Larkin)		
Model	Compressor	Voltage	"Capacity @ -10/90 Amb"	Model	Compressor	"Capacity @ -10/90 Amb"
XFAL-008Z-CFV-081	ZF03KAE	208-230/1/60	4,180	*Z*006L6B	ZF03KAE	4,000
XFAL-008Z-TFC-081	ZF03KAE	208-230/3/60	4,180	*Z*006L6C	ZF03KAE	4,000
XFAL-009Z-CFV-081	ZF04KAE	208-230/1/60	5,720	*Z*008L6C	ZF04KAE	5,390
XFAL-009Z-TFC-081	ZF04KAE	208-230/3/60	5,720	*Z*008L6D	ZF04KAE	5,390
XFAP-015Z-CFV-081	ZS09KAE	208-230/1/60	5,910			
XFAP-015Z-TFC-081	ZS09KAE	208-230/3/60	5,910			
XFAL-010Z-CFV-081	ZF05KAE	208-230/1/60	6,910	*Z*010L6C	ZF05KAE	6,460
XFAL-010Z-TFC-081	ZF05KAE	208-230/3/60	6,910	*Z*010L6D	ZF05KAE	6,460
XFAP-017Z-CFV-081	ZS11KAE	208-230/1/60	7,100			
XFAP-017Z-TFC-081	ZS11KAE	208-230/3/60	7,100			
XFAP-020Z-CFV-081	ZS13KAE	208-230/1/60	June, 2018			
XFAP-020Z-TFC-081	ZS13KAE	208-230/3/60	June, 2018			
XFAP-022Z-CFV-081	ZS15KAE	208-230/1/60	9,640	*B*022L6B	ZF07K4E	9,620
XFAP-022Z-TFC-081	ZS15KAE	208-230/3/60	9,640	*B*022L6C	ZF07K4E	9,620
XFAP-025Z-CFV-081	ZS19KAE	208-230/1/60	June, 2018			
XFAP-025Z-TFC-081	ZS19KAE	208-230/3/60	June, 2018			
XFAL-012Z-CFV-081	ZF07KAE	208-230/1/60	10,600	*B*025L6B	ZF08K4E	11,880
XFAL-012Z-TFC-081	ZF07KAE	208-230/3/60	10,600	*B*025L6C	ZF08K4E	11,880
XFAL-020Z-CFV-081	ZXI06KCE	208-230/1/60	13,140	*B*030L6B	ZF09K4E	13,220
XFAL-020Z-TFC-081	ZXI06KCE	208-230/3/60	13,140	*B*030L6C	ZF09K4E	13,220
XFAP-030Z-CFV-081	ZS21KAE	208-230/1/60	14,200	*B*035L6B	ZF11K4E	15,810
XFAP-030Z-TFC-081	ZS21KAE	208-230/3/60	14,200	*B*035L6C	ZF11K4E	15,810
XFAP-033Z-CFV-081	ZS26KAE	208-230/1/60	June, 2018			
XFAP-033Z-TFC-081	ZS26KAE	208-230/3/60	June, 2018			
XFAP-037Z-CFV-081	ZS29KAE	208-230/1/60	June, 2018			
XFAP-037Z-TFC-081	ZS29KAE	208-230/3/60	June, 2018			
XFAL-030Z-TFC-081	ZXI09KCE	208-230/3/60	17,170			
XFAP-045Z-CFV-081	ZS33KAE	208-230/1/60	19,700			
XFAP-045Z-TFC-081	ZS33KAE	208-230/3/60	19,700	*B*045L6C	ZF13K4E	19,380
XFAL-035Z-CFV-081	ZXI11KCE	208-230/1/60	19,700	*B*045L6B	ZF13K4E	19,380
XFAP-050Z-CFV-081	ZS38K4E	208-230/1/60	23,800	*B*055L6B	ZF15L4E	23,520
XFAP-050Z-TFC-081	ZS38K4E	208-230/3/60	23,800	*B*055L6C	ZF15L4E	23,520
XFAL-040Z-CFV-081	ZXI14KCE	208-230/1/60	24,740			
XFAL-040Z-TFC-081	ZXI14KCE	208-230/3/60	24,740			
XFAL-050Z-CFV-081	ZXI15KCE	208-230/1/60	27,570			
XFAL-050Z-TFC-081	ZXI15KCE	208-230/3/60	27,570	*B*060L6C	ZF18K4E	27,230
XFAP-060Z-TFC-081	ZS45K4E	208-230/3/60	28,300			
XFAL-060Z-TFC-081	ZXI18KCE	208-230/3/60	34,700			

XFAP models require R-404A to operate Low Temp conditions.

Competitive capacity sourced from publicly available published data. For reference only.

HTPG (ColdZone, Kramer, Russell, Witt)			United (Keep-Rite, Trenton)		
Model	Compressor	"Capacity @ -10/90 Amb"	Model	Compressor	"Capacity @ -10/90 Amb"
**O100L4SD	ZF03KAE	3,780	*QZA008L8-HS2	ZF03KAE	4,210
**O100L4SE	ZF03KAE	3,780	*QZA008L8-HT3	ZF03KAE	4,210
**O130L4SD	ZF04KAE	5,220	*QZA010L8-HS2	ZF04KAE	5,690
**O130L4SE	ZF04KAE	5,220	*QZA010L8-HT3	ZF04KAE	5,690
**O160L4SD	ZF05KAE	6,360	*QZA015L8-HS2	ZF05KAE	6,810
**O160L4SE	ZF05KAE	6,360	*QZA015L8-HT3	ZF05KAE	6,810
**O230L4SD	ZF07KAE	9,980	*QZA020L8-HS2	ZF06K4E	9,860
**O230L4SE	ZF07KAE	9,980	*QZA020L8-HT3	ZF06K4E	9,860
**O250L4SD	ZF08K4E	11,910	*QZA025L8-HS2	ZF08K4E	12,530
**O250L4SE	ZF08K4E	11,910	*QZA025L8-HT3	ZF08K4E	12,530
**O300L4SD	ZF09K4E	13,130	*QZA030L8-HS2	ZF09K4E	13,720
**O300L4SE	ZF09K4E	13,130	*QZA030L8-HT3	ZF09K4E	13,720
**O350L4SD	ZF11K4E	15,830	*QZA035L8-HS2	ZF11K4E	16,410
**O350L4SE	ZF11K4E	15,830	*QZA035L8-HT3	ZF11K4E	16,410
**O400L4SE	ZF13K4E	19,190	*QZA045L8-HT3	ZF13K4E	20,630
**O400L4SD	ZF13K4E	19,190	*QZA045L8-HS2	ZF13K4E	20,630
**O500L4SD	ZF15K4E	23,200	*QZA055L8-HS2	ZF15K4E	24,590
**O500L4SE	ZF15K4E	23,200	*QZA055L8-HT3	ZF15K4E	24,590
**O600L4SE	ZF18K4E	26,560	*QZA060L8-HT3	ZF18K4E	29,170

About Emerson

Emerson (NYSE: EMR), headquartered in St. Louis, Missouri (USA), is a global technology and engineering company providing innovative solutions for customers in industrial, commercial, and residential markets. Our Emerson Automation Solutions business helps process, hybrid, and discrete manufacturers maximize production, protect personnel and the environment while optimizing their energy and operating costs. Our Emerson Commercial and Residential Solutions business helps ensure human comfort and health, protect food quality and safety, advance energy efficiency, and create sustainable infrastructure. For more information visit [Emerson.com](https://www.emerson.com).

Connect with Emerson
Commercial & Residential Solutions



[Climate.Emerson.com](https://www.climate.emerson.com)

2020ECT-1_X-Line R1 (8/20) Emerson and Copeland are trademarks of Emerson Electric Co. or one of its affiliated companies.
©2020 Emerson Climate Technologies, Inc. All rights reserved.

EMERSON. CONSIDER IT SOLVED.™